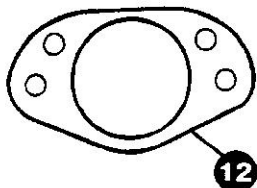
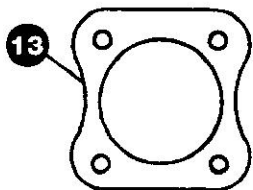
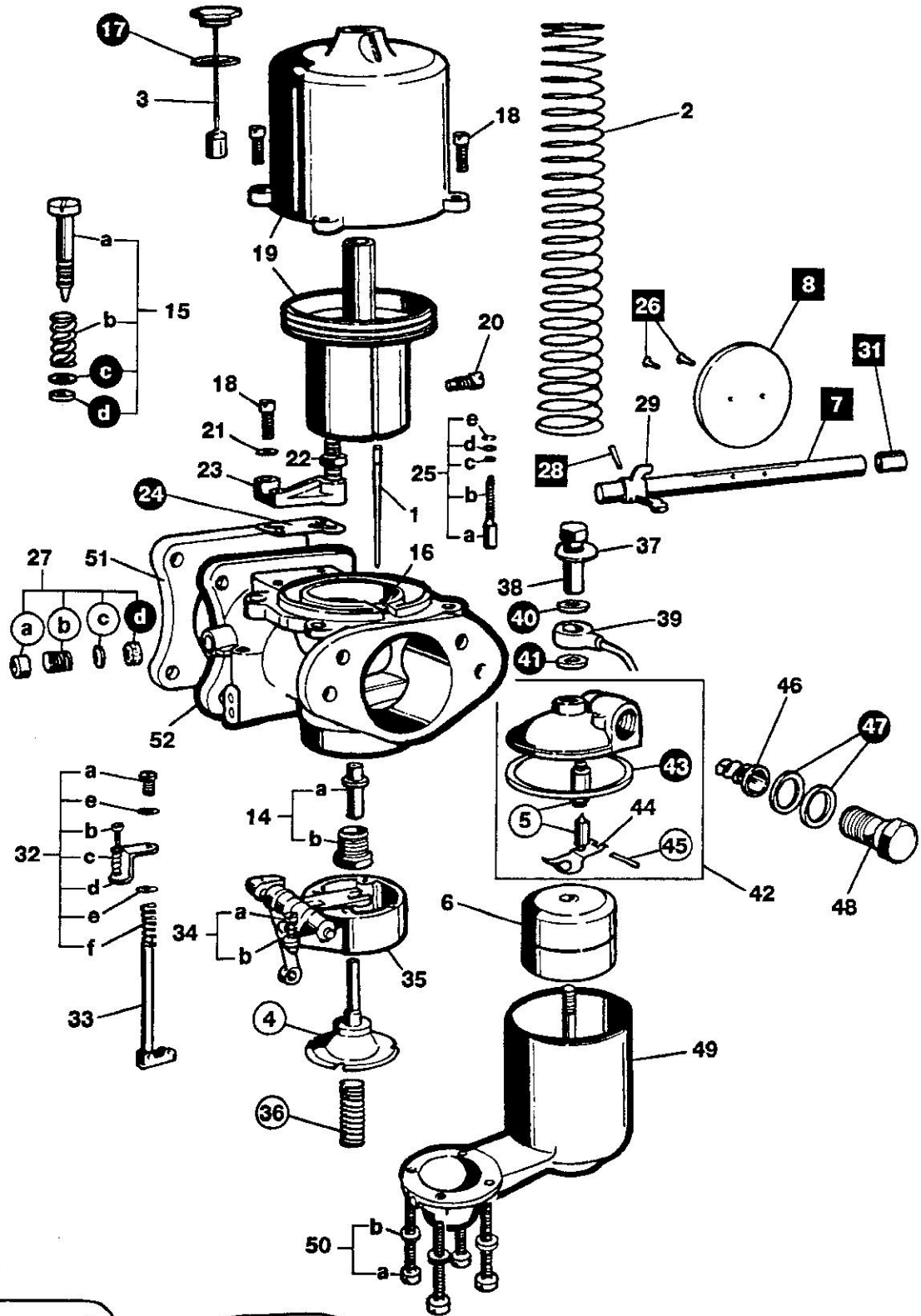


# HD Type Carburetter



● Gasket Pack  
 ○ Service Kit (CSK) in addition to Gasket Pack  
 ■ Rebuild Kit (CRK) in addition to CSK  
 Each kit contains enough components to service one carburetter.  
 The carburetter illustrated is an HD8 but most HD types are similar.

# HD Type Carburetter

1	Needle	see spec pages
2	Piston Spring	see spec pages
3	Damper	see spec pages
4	Jet Assembly	see spec pages
5	<b>Needle and Seat Kit</b> includes item 43	see spec pages
6	<b>Float Kit</b> includes item 43	see spec pages
7	<b>Throttle Spindle Kit</b> includes items 12, 13, & 26	see spec pages
8	<b>Throttle Disc Kit</b> includes items 12, 13 & 26	see spec pages
9	<b>Gasket Pack</b> includes items marked ●	see spec pages
10	<b>Service Kit</b> includes items marked ● & ○	see spec pages
11	<b>Rebuild Kit</b> includes items marked ● ○ & ■	see spec pages
12	Gasket - Air Inlet	see page 168
13	Gasket - Engine Flange	see page 168
14	<b>Jet Bearing Kit</b> a Jet Bearing b Lock Nut	<b>WZX 1211</b> AUC 2001 AUC 2002
15	<b>Volume Screw Kit</b> a Volume Screw b Spring c Washer d Gland	<b>WZX 992</b> AUC 2028 AUC 2027 AUC 2030 AUC 2029
16	<b>Piston Guide Key Kit</b> a Screw b Guide Key	<b>WZX 1259</b> AUC 2099 AUC 2054 AUC 4900 JZX 1394
17	Washer	
18	Screw	
19	<b>Suction Chamber Assy</b>	various
20	Needle Lock Screw	AUC 2057
21	Washer	LWN 403
22	Ignition Union	AUC 4490/5100
23	Adapter Plate	various
24	Gasket	various
25	<b>Piston Lift Pin Kit</b> a Piston Lift Pin b Spring c Washer d Washer e Circlip	<b>WZX 1110</b> AUC 2065 AUC 2066 AUC 4943 AUC 4944 AUD 4150
26	Disc Screws	AUC 1358
27	<b>Spindle Seal Kit</b> a Retainer b Spring c Washer d Cork Gland*	<b>WZX 994</b> AUC 2010 AUC 2097 AUC 2096 AUC 2098
28	Taper Pin	AUC 2106
29	Throttle Stop	see page 168
30	Throttle Lever	see page 157
31	Spindle Bush	AUC 3080

32	<b>Cam Shoe Sundries Kit</b> a Screw b Screw c Spring d Top Plate e Washer f Spring	<b>WZX 1235</b> AUC 4790 AUC 2521 AUC 2451 AUC 2019 LWN 403 AUD 2070
33	<b>Cam Shoe and Rod Assy</b>	various
34	<b>Screw Kit</b> a Screw b Spring	<b>WZX 981</b> AUC 8483 AUC 2451
35	<b>Jet Housing Assy</b>	various
36	Jet Spring	AUC 2006
37	Specification Tag	
38	Float Lid Bolt	AUC 1867
39	Overflow Pipe	see page 165
40	Washer	AUC 1557
41	Serrated Washer	AUC 1928
42	<b>Float Lid Assy</b>	various
43	Float Lid Gasket	AUC 1147
44	Float Lever	AUD 2285
45	Float Lever Pivot Pin	AUC 1152
46	Filter	AUC 2139
47	Washer	AUC 2141
48	Banjo Bolt	AUC 2698
49	Float Chamber	various
50	<b>Float Chamber Mounting Kit</b> a Screw (4) b Washer (4)	<b>WZX 1220</b> AUC 2110 LWN 403
51	Insulation Block	see page 167
52	Body	various

\*Later carburetters use a rubber seal with or without the spring and retainer. The gasket pack includes the rubber seals only, but the service and rebuild kits include both.

**Note:** Refer to page 6 for help identifying the carburetter's specification. Refer to page 8 for details of carburetter sundries kits.