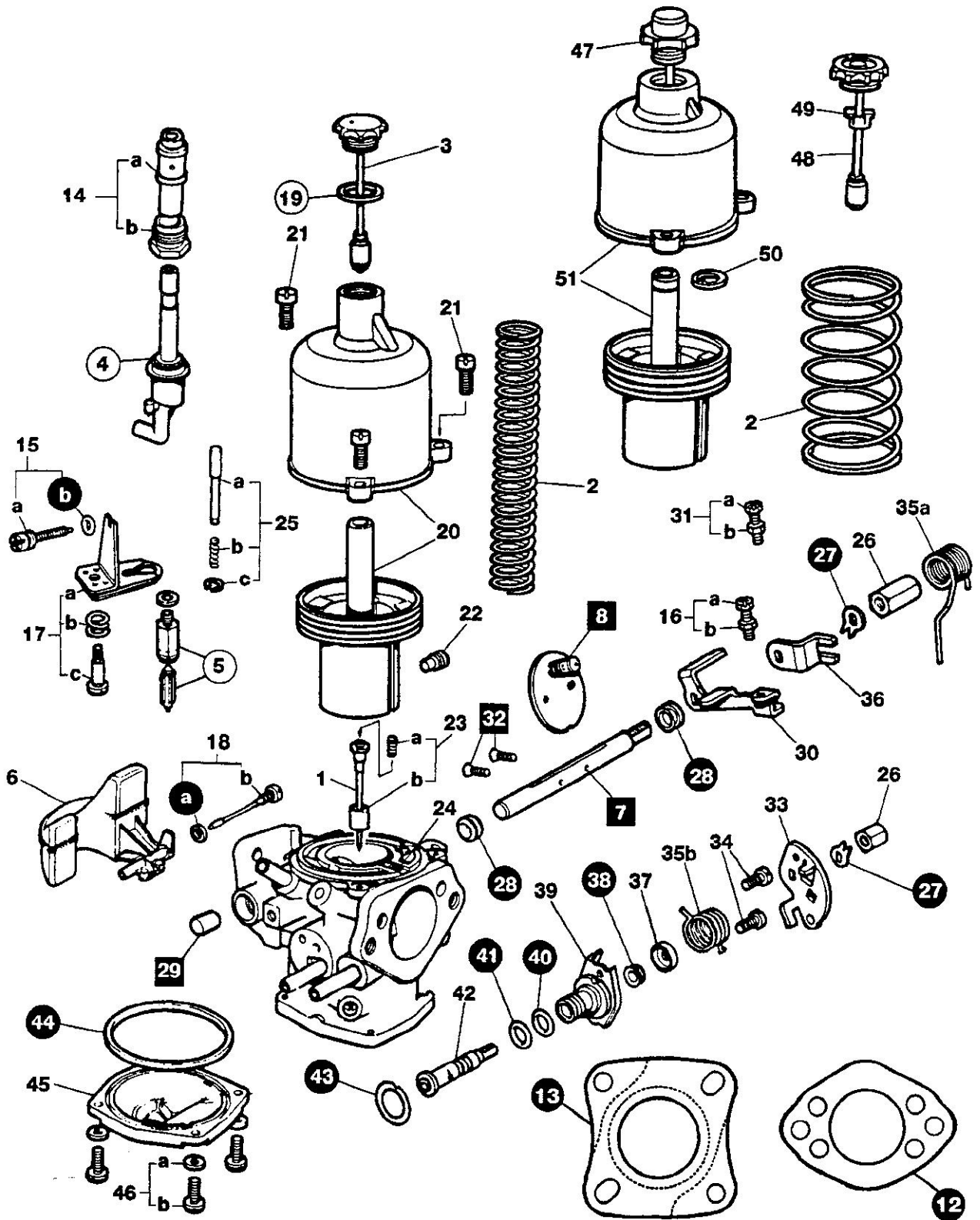


HIF 4, 6 and 7 Carburetter



- Gasket Pack
- Service Kit (CSK) in addition to Gasket Pack
- Rebuild Kit (CRK) in addition to CSK

Each kit contains enough components to service one carburetter.
The carburetter illustrated is an HIF4 but most HIF types are similar.

HIF 4, 6 and 7 Carburetter

1	Needle	see spec pages
2	Piston Spring	see spec pages
3	Damper	see spec pages
4	Jet Assembly Kit includes items 12,13 & 44	see spec pages
5	Needle and Seat Kit includes item: 44	see spec pages
6	Float Kit includes items 12,13, 18a & 44	see spec pages
7	Throttle Spindle Kit includes items 12,13,27 & 32	see spec pages
8	Throttle Disc Kit includes items 12,13 & 32	see spec pages
9	Gasket Pack includes items marked ●	see spec pages
10	Service Kit includes items marked ● & ○	see spec pages
11	Rebuild Kit includes items marked ●, ○ & ■	see spec pages
12	Gasket - Air Inlet	see page 166
13	Gasket - Engine Flange	see page 166
14	Jet Bearing Kit a Jet Bearing b Jet Lock Nut	WZX 1441 AUD 4500 # AUD 3569
15	Mixture Screw Kit a Mixture Screw b Mixture Screw Seal	WZX 1255 AUD 3585 AUD 3586
16	Idle Adjusting Screw Kit a Idle Adjusting Screw b Idle Adjusting Screw Seal	various various various
17	Bi-Metal Assembly Kit a Bi-Metal Assembly b Bi-Metal Assembly Spring c Bi-Metal Assembly Screw	WZX 1257 CUD 2399 AUD 3583 AUD 3584
18	Float Spindle Kit a Float Spindle Washer b Float Spindle	WZX 1450 AUC 4127 CUD 2082
19	Damper Washer (where used)	AUC 4900
20	Suction Chamber and Piston Assembly	various
21	Suction Chamber Screws	JZX 1394
22	Needle Lock Screw	various
23	Needle Guide Kit a Needle Spring b Needle Guide	see page 148 see page 148 see page 148
24	Piston Guide Key Kit a Screw b Guide Key	various AUC 2099 various
25	Lift Pin Kit a Lift Pin b Spring c Circlip	WZX 1104 AUD 4265 AUC 1151 AUD 4150

26	Spindle Nut	various
27	Tab Washer	AUC 1206
28	Throttle Spindle Seal	AUD 3577
29	Throttle Spindle Bush	AUD 3080
30	Throttle Lever	various
31	Fast Idle Screw Kit a Screw b Nut	various various various
32	Throttle Disc Screws	AUC 1358
33	Starter Lever/Cam	various
34	Retaining Screws	AUD 3606
35	Throttle/Starter Return Spring Kit a Throttle Spring b Starter Spring	various various AUD 4417
36	Lost Motion Lever	various
37	Seal Cap	—
38	Spindle Seal	AUD 3577
39	Starter Body Assembly	various
40*	Starter 'O' Ring	various
41*	Starter 'O' Ring	various
42	Starter Spindle	various
43*	Paper Seal	AUD 3605
44	Float Lid Seal	AUD 3588
45	Float Lid	JZX 1005
46	Float Lid Screw Kit a Washer b Screw	WZX 1268 AUC 2246 AUD 3590
47	Damper (late type - ball-bearing)	see spec pages
48	Damper (early type - ball-bearing)	see spec pages
49	Clip	—
50	Circlip	—
51	Ball-Bearing type Suction Chamber	various

* See page 149

See page 145

Note: Refer to page 6 for help identifying the carburetter's specification. Refer to page 8 for details of carburetter sunches kits.