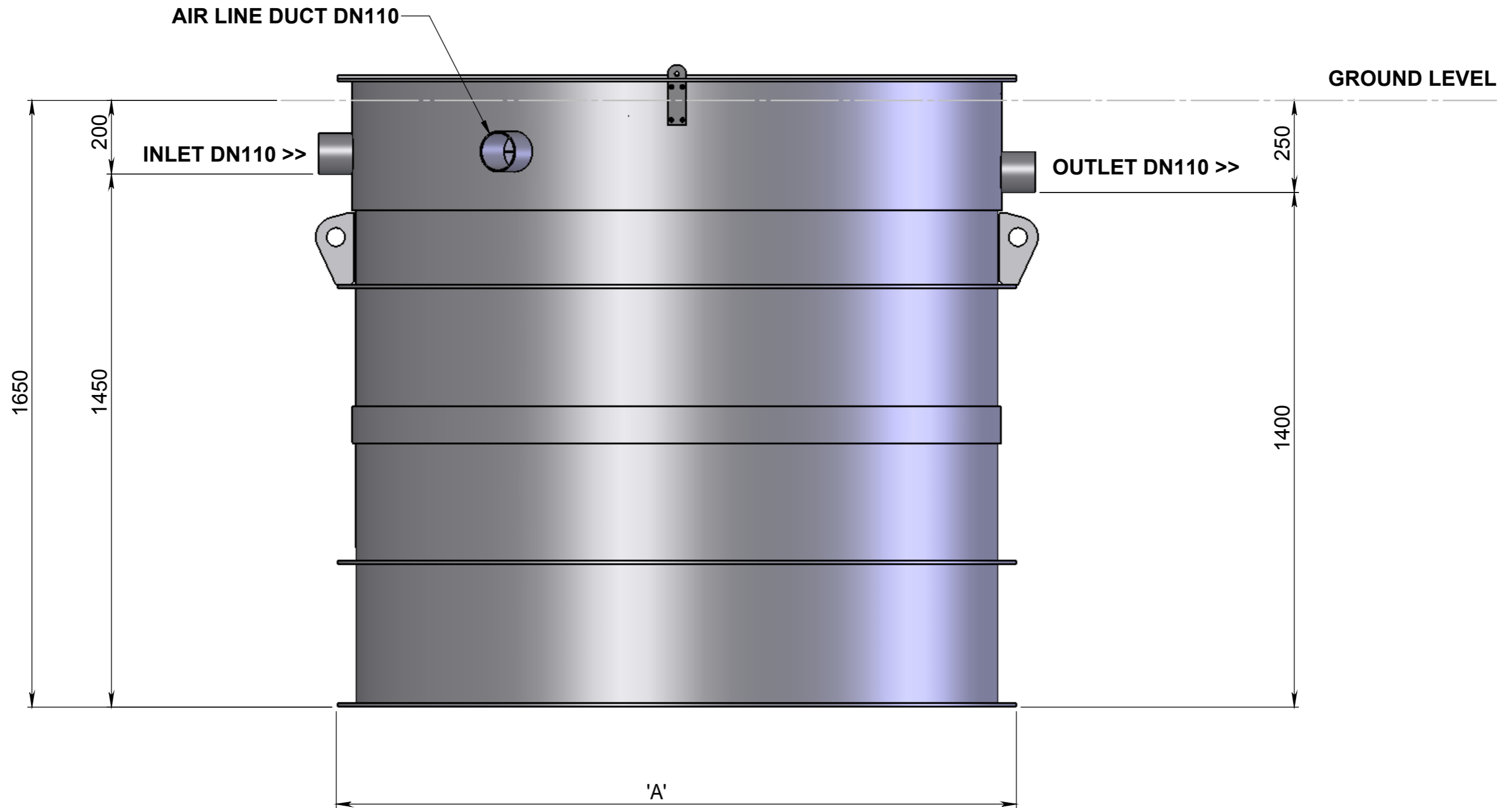


Dimensions in mm  
NOT TO SCALE



Vortex Model	Diameter 'A'	Weight [Kg] ± 10%
4_0.20	1120	114
6_0.20	1340	137
9_0.20	1620	173
12_0.20	1850	231

THIS DRAWING IS PROTECTED BY COPYRIGHT AND MUST NOT BE ALTERED OR REPRODUCED WITHOUT WRITTEN PERMISSION OF WATER TECHNOLOGY ENGINEERING LIMITED.



Water Technology Engineering Ltd.  
Unit 2, Bolton Lane  
York, YO41 5QX  
Yorkshire, UK

Title  
Vortex PE4, 6, 9 and 12 - Shallow Inlet Invert

Document type	Drawing	Created by	mdc
Document status	Installation Information	Approved by	dfc
Date of Issue	24/07/2018	Client ID	0000
Document number	1217F-SA-1000-01	Lang	en
		Form	A3
		Rev	F
		Sheet	1/1