

# LINED ROMAN BLINDS

(using a Roman Blind Kit)

## REQUIREMENTS

Fabric  
Lining (or blackout lining)  
Roman Blind Kit  
Matching Thread

You will also need to use:

Sewing Machine  
Marking Chalk  
Ruler  
Pins

## STEP 1: CUTTING OUT

First iron the fabric and the lining.  
Cut the fabric to the required size adding on an extra 5cms (2in) to each side and the top, and an extra 6cm to the bottom.

Cut the lining to the required size exactly (adding no extra measurements onto the sides).

If widths have to be joined allow for pattern matching and plan to use a full width as a centre panel with half widths joined at the sides. (There is no objection to a centre seam but Roman Blinds look best with a full middle panel). If using a patterned fabric centralise a motif in the middle of the blind also placing a suitable pattern at the top and base of the blind.

It is important that the fabric and the lining should be cut square and straight and on the straight of grain.



Fabric: Required size + 5cm around top and sides, 6cm on bottom



Lining: Required size only, then mark 2.5cm WITHIN this measurement all around

## STEP 2: MAKING UP

On the wrong side of the blind fabric mark with a chalk pen 10cm on the sides and at the top of the blind. Mark 12cm up on the wrong side of the fabric at the bottom. (When ironed up, only 5cm will be ironed to the inside on the sides and top, and 6cm on the bottom.)

On the wrong side of the facing fabric mark with a chalk pen 5cm all the way around. (When ironed inwards, only 2.5cm will be ironed inwards.)

Iron these hem markings in towards the wrong side of the fabric.

Turn each corner up following the diagrams below to make the mitred corners. Iron in place and pin if necessary. Leave the mitres open to insert the flat aluminium bar later.



Turn and iron the corners in place

## STEP 3: PLEAT CALCULATIONS

Working with the lining only, calculate the rod pocket tape positions as follows:

Standard pleating is where the folds lie on top of each other. Establish the finished length of the blind.

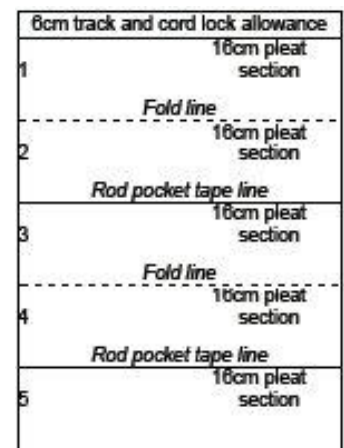
From the finished length of the blind deduct an allowance for the track and cord lock of 6cm.

Divide the remaining figure by an **odd** number to find the size of the pleat sections, which should be approximately between 10 and 20cm (4 and 8in).

e.g. finished blind length 86cm – 6cm = 80cm to pleat

80cm ÷ 5 pleat sections = 16cm folds

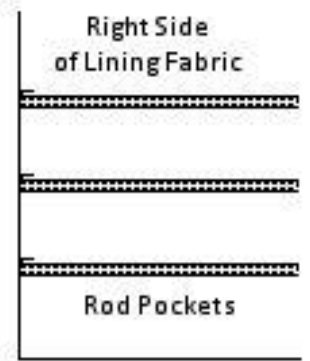
The rods fall between sections 2 and 3, and 4 and 5 and the folds on the front of the blind fall between 1 and 2, and 3 and 4.



#### STEP 4: ROD POCKETS

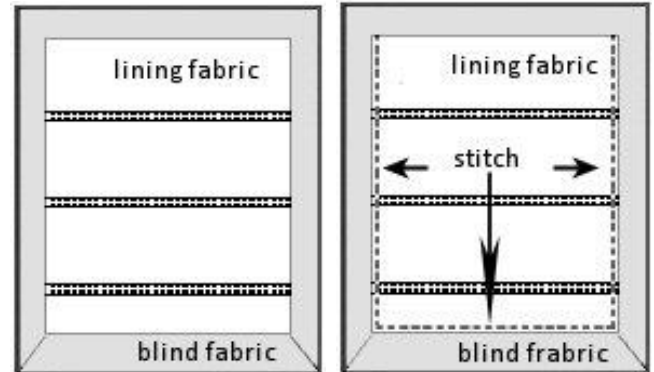
Mark the horizontal lines of the tape positions on the facing fabric with a chalk pencil.

Cut the tapes the width of the facing fabric plus a little extra (2cm on each end) to turn under. Place the tapes onto the marked lines with the open slits for the rods facing the top of the blind. Turn the ends of the tape under and sew in place around the edges of the tape.



#### STEP 5: ATTACHING THE LINING TO THE FABRIC

Re-position the lining onto the back of the blind 2.5cm in from the sides and 3cm up from the hem fold. Sew down each side and along the hem. Make sure that where you are sewing is exactly the same measurement position all the way around as this stitching line will be seen on the right side of the blind (e.g. stitch at exactly 2.5cm away from the edge of the blind on the sides and 3cm at the bottom). If you do not want the stitching to show on the right side of the fabric, then handstitch the lining into place.

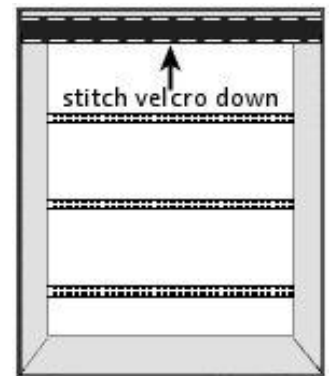


#### STEP 6: VELCRO AND RODS

Sew the loop tape / velcro onto the back of the blind into place along all edges of the tape (remembering to fold under about 2cm at the ends).

Cut the required number of fibreglass rods to the length of the sewn rod pocket tape less 1cm. Wear protective gloves as fibreglass splinters, wrap tape around the cutting area and then cut with a hack-saw. Slip the rods into the rod pocket tape through the slits at the top of the tape.

Cut the flat aluminium bar to the width of the blind less 2cm in the same way as the fibreglass rods. Slip the bar through the mitres at hem of the blind and hand-stitch to enclose if necessary.



#### STEP 7: THE TRACK

Adjust the length of the track and fit the brackets to the wall or ceiling as follows:

Work on the opposite end of the track to the cord lock and take off the end cap.

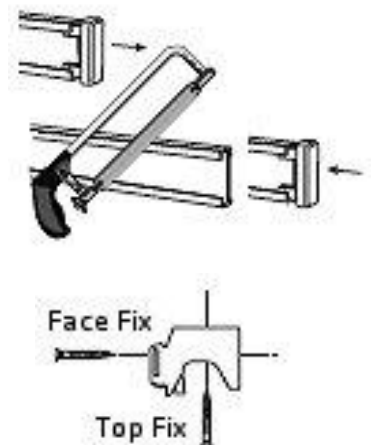
Loosen the clip in the cord guide and slide it along the track.

Cut the track to the required size with a hacksaw, brush away any metal dust and fit the protective end caps at each end.

Re-position the cord guides 10-15cm (4-6in) in from each end and thereafter spaced equidistance apart and tighten the clips.

Space the wall brackets evenly across the track and mark their fixing positions on the wall. These brackets can be face-fixed outside the window reveal or top-fixed inside the window reveal.

Drill, plug and screw the brackets into position and clip the track into place.



#### STEP 8: ATTACHING THE BLIND TO THE TRACK

Now fit the blind to the track before fitting onto the brackets. Press the velcro on the blind to the hook tape on the track.

Thread the cord through the slits in the rod pockets down to the last rod pocket at the bottom of the blind. Knot the cord onto the rod pocket.

Clip the blind onto the brackets. It may be necessary to adjust the cord tensions using the locking device at the bottom of the blind.