



CVE Shop Fire Rated Air Valves

1 Hour Fire Rated

Tested to BS EN 1365-2

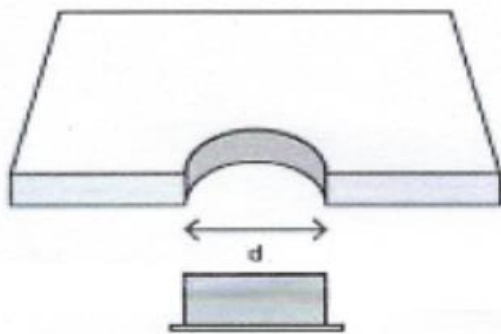
Suitable for plasterboard ceilings

Tested in timber floor / ceiling

Substitute for Fire Rated Dampers

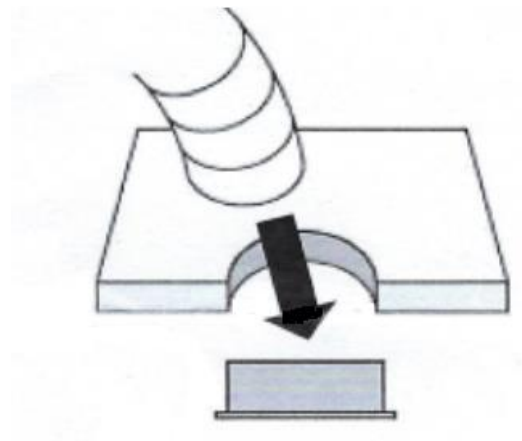
STEP ONE

Cut hole in ceiling to suit the outside diameter of the air valve mounting ring



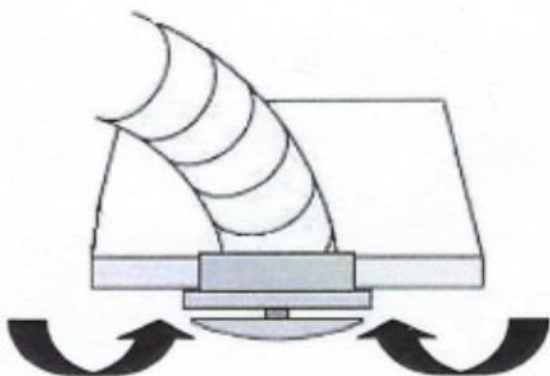
STEP TWO

Attach ducting onto the air valve mounting ring and fix the air valve to the ceiling via the screw holes in the valve



STEP THREE

Fit the body of the valve into the mounting ring with a quarter turn twist and set inner cone clearance to provide required air flow rate (max. 12mm – see Step 4)



STEP FOUR

Ensure the air valve is fitted snugly within the ceiling with no gaps or voids

