



Metal in-line tube fan. Suitable for use in spiral ducted extract or supply system for commercial or horticultural.

Spigots fit into spiral ducting.

Easy to install.

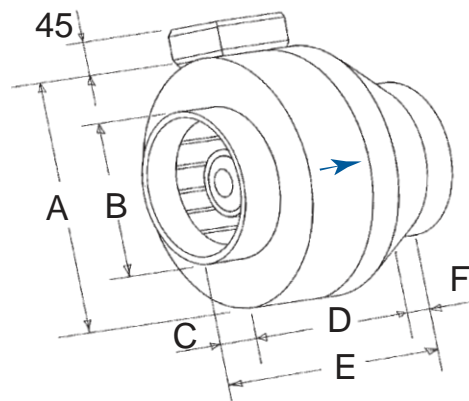
Can be supplied with matching speed regulators 240v/1/50 single phase only. Speed regulatable on electronic controllers.

Insulation Class B IP44 2 pole motors. Totally enclosed motor, PSC (permanent split capacitor).

Temperature range -40°C - +60°C.

Options and Accessories

- Flexible ducting
- Valves
- Circular Swirls Jet Nozzle
- Grilles and Diffusers
- Plenum Boxes



Sizes Available / Dimensions								
CVE Product Code	A	B	C	D	E	F	Weight Kg	Controller
CVILTF-100	243	100	25	145	195	25	2	STL 1.5
CVILTF-125	243	125	28	139	195	28	2	STL 1.5
CVILTF-150	333	150	28	166	222	28	3	STL 1.5
CVILTF-160	333	160	28	166	222	28	3	STL 1.5
CVILTF-200	333	200	25	172	222	25	4.5	STL 1.5
CVILTF-250	333	250	27	201	255	27	5	STL 1.5
CVILTF-315	401	315	25	215	265	25	7	STL 1.5

Technical Data								
CVE Product Code	Speed	m ³ /s/Pa					dB(A) @3m	Watts
		0Pa	50Pa	100Pa	150Pa	200Pa		
CVILTF-100	2360	0.08	0.06	0.04	0.031	0.025	48	62
CVILTF-125	2260	0.11	0.09	0.06	0.045	0.032	44	62
CVILTF-150	2480	0.2	0.14	0.09	0.07	0.05	52	125
CVILTF-160	2410	0.209	0.2	0.17	0.15	0.12	50	125
CVILTF-200	2590	0.277	0.22	0.18	0.16	0.13	43	150
CVILTF-250	2390	0.3	0.28	0.24	0.21	0.2	47	158
CVILTF-315	2400	0.52	0.37	0.3	0.29	0.26	49	225