

# ADJUSTABLE SLOT SWIRL DIFFUSER



CVASD Slot Diffusers are very effective supply units, designed to be mounted into a lay-in grid system.

The swirl effect ensures good mixing of supply and ambient air, incorporating 24 adjustable blades behind the diffuser face to create a swirling, horizontal or vertical throw.

Manufactured from sheet steel with pressed steel slots in a radial pattern to allow the introduced air to rapidly mix with the ambient air to reduce the temperature and also perceived draughts or hot and cold spots.

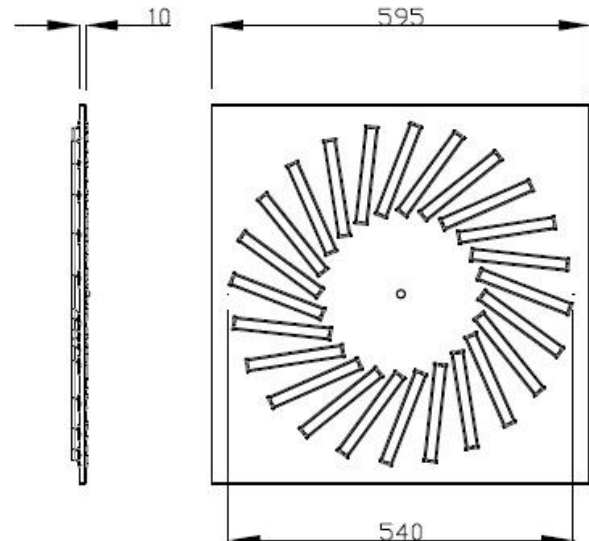
The standard finish for this product is RAL9010 (white).

Other finishes are available to suit the interior and architectural design requirements.

Sizes Available / Dimensions				
CVE Product Code	Face Size	Neck Size	Tray Depth	No Slots
CVSWA-24	595mm x 595mm	540mm	10mm	24

## Quick Selection Table

Specs	Air Volume (m <sup>3</sup> /h)	Pressure Loss (Pa)	Noise (dB)
540	180	4.5	<20
	250	8	<20
	35	15	27
	550	38	42
	700	60	47



## Options and Accessories

- Galvanised Steel Plenum Boxes complete with side entry circular spigot to suit spiral ducting or flexible duct connections. Recommended for this slot diffuser CVSEMGB-550 (spigot size to suit).