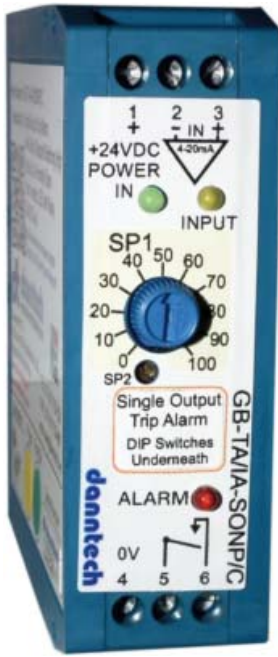


SINGLE OUTPUT TRIP ALARM



The single output trip alarm provides improved functionality in a compact enclosure at an attractive price.

The unit has transistor or relay output which can be configured to be either normally open or normally closed.

Initially available as 24 VDC or 12 VDC powered with other DC supply variations possible.

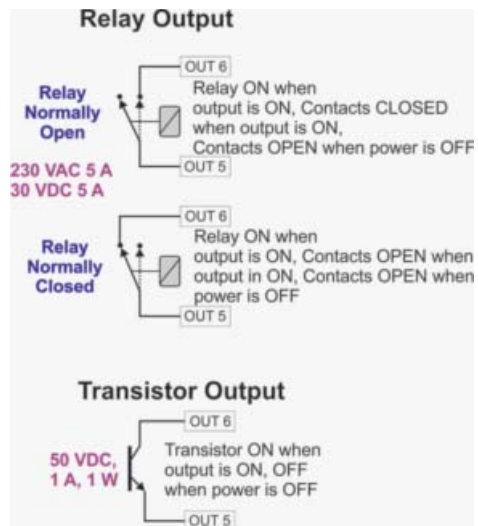
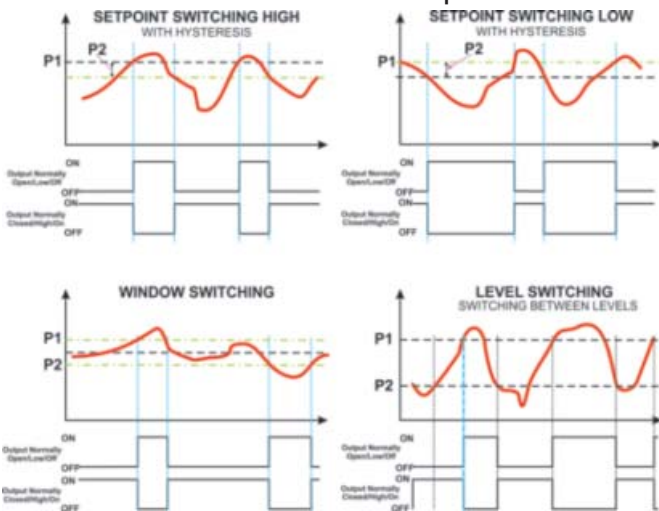
Three modes of operation:

SETPOINT SWITCHING HIGH or LOW- with hysteresis (for high or low alarm applications).

LEVEL SWITCHING - switching between high and low setpoints (pumping/level control applications).

WINDOW SWITCHING - monitoring input between limits (maximum/minimum alarm applications)

The output sense can be “normally open” or “normally closed” with the output indicator LED sense also configurable.



SPECIFICATIONS:

- Input signal ranges from ± 20 mV to ± 100 V, ± 1 mA up to ± 10 A. Standard inputs 4-20 mA, 0-10 V, etc.
- AC and DC voltages up to 250 V, currents up to 10 A.
- Resistance and frequency inputs also possible.
- Input impedance of >100 k Ω for the voltage input and 50 Ω or less for the current input models.
- Potential free relay contact or transistor output.
- Relay contact rating 230 VAC or 30 VDC up to 5 A resistive load.
- Uncommitted transistor output at 50 V 1 A.
- Internal link selection of normally open or normally closed relay output.
- Single-turn trimpot adjustment for switching setpoints and/or hysteresis on the front of the unit.
- Various auxiliary supply options: 24 VDC, 12 VDC, 9 - 18 VDC , 20 to 30 VDC, 18 – 36 VDC, 36 - 72 VDC.
- Power requirement is 2.5 W maximum.
- Isolation between inputs, power supply and output >1000 VDC.
- Operating temperature -10 to 70°C.
- 24 hour operational burn-in.
- DIN rail mounting.
- High quality self-extinguishing polyamide enclosure.
- Screw terminal connections.
- Dimensions 25 x 80 x 85 mm (W x H x D).



danntech
PROCESS INSTRUMENTATION

danntech cc
Reg. No. 1986/15338/23
Tel: + 27 (0)11 792-1239
Fax: + 27 (0)11 792-4687
P O Box 1023, Fontainebleau, 2032
Republic of South Africa
www.danntech.co.za
www.danntech.com

danntech ltd
Co. No. 6510211
Tel: +44 (0) 75 9069 1824
4 Bettys Lane, Norton Canes
Cannock, Staffordshire, WS11 9NP
United Kingdom
www.uk.danntech.com