

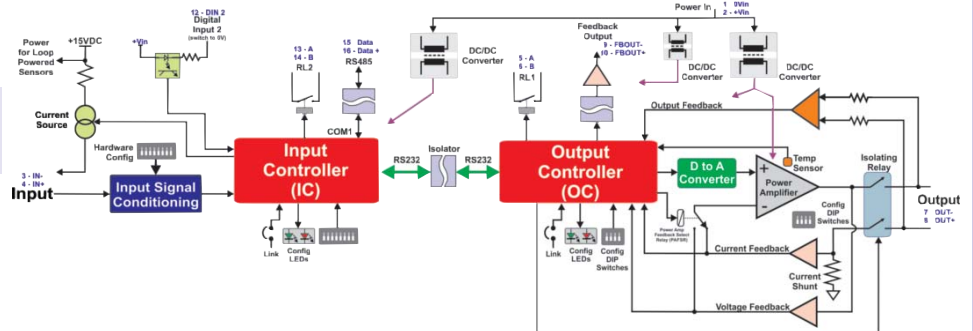
HIGH CURRENT OUTPUT SIGNAL CONVERTER

- Provides either a voltage or current output of up to $\pm 10V$ with various models going up to ± 1250 mA.
- Output can be either constant voltage or constant current.
- Linear control of output current and voltage, not switched mode.
- Interface to bipolar hydraulic valves.
- Electrochemistry - potentiostatic and galvanostatic testing.
- Servomotor control.
- Test current generator.
- Provides a serial interface for up to 32 devices for remote or computer control.



PART NUMBERING:

GB-SH/kg-nt/p Signal Converter
[input]/[output] [aux supply]



SPECIFICATIONS:

- Input options are 0 to 10 V, 0 to 5 V, $\pm 10V$, 0 to 20 mA, 4 to 20 mA, resistance and potentiometer.
- Output options are 0 to 10 V, $\pm 10V$ (up to 1250 mA), current output up to ± 1250 mA.
- Step response of 2 mS or less.
- Requires an external DC supply of either:
9 to 18 VDC (12 VDC nominal),
18 to 36 VDC (24 VDC nominal),
36 to 75 VDC (48 VDC nominal)
- Isolation of up to 1500 VDC or more, between input, output and the auxiliary power supply.
- Zero and span adjustment
- RS485 communications with our simple ASCII Remote Magic Family Interface so multiple units can be used with remote control.
- Modbus communications option in development.
- Hydraulic valve controller option available on request with dither and ramping.
- One isolated digital input.
- Internal output isolation relay.
- Heatsink temperature monitoring with automatic shutdown at $90^{\circ}C$ and restart at $70^{\circ}C$.
- Operating temperature $-10^{\circ}C$ to $60^{\circ}C$.
- DIN rail mounting.
- Plug-in screw terminal connections.
- Dimensions 40 x 110 x 113 mm (width x length top to bottom x height off DIN rail).
- Approximate weight 150 g.



danntech cc
Reg. No. 1986/15338/23
Tel: + 27 (0)11 792-1239
Fax: + 27 (0)11 792-4687
P O Box 1023, Fontainebleau, 2032
Republic of South Africa
www.danntech.co.za
www.danntech.com

danntech ltd
Co. No. 6510211
Tel: +44 (0) 75 9069 1824
4 Bettys Lane, Norton Canes,
Cannock, Staffordshire, WS11 9NP,
United Kingdom
www.uk.danntech.com