

## HD4DIRSX

### TRUE DAY/NIGHT RUGGED DOME CAMERA WITH INFRARED ILLUMINATORS

Honeywell's range of infrared-illuminated cameras uses the latest True/Day Night surveillance imaging technology to deliver brilliant colour images during the day and improved low-light sensitivity at night. IR technology automatically adjusts intensity to avoid hot spots in the image to deliver extremely clear, sharp images regardless of lighting conditions.

The HD4DIRSX combines Digital Noise Reduction (DNR) technology with 18 integrated light-emitting diodes (LEDs) to improve overall image clarity and compression efficiencies on DVRs. By removing noise artifacts such as electronic static, DNR technology optimises motion detection performance by the DVR. When used in conjunction with the HD4DIRSX photo cell-driven IR LEDs, using a dual window IR cut and IR pass filter, DNR captures a crisp, clean image, enhancing the integrity of the recorded video.

Generating 600 TV lines of resolution, the HD4DIRSX produces sharper images down to the smallest detail with outstanding accuracy. A 3.3-12 mm IR corrected Vari-focal Auto Iris lens eliminates focus shift when the camera switches between colour and IR modes. In addition, an optical lens shield located inside the dome delivers evenly distributed nighttime vision with no internal reflection or 'halo' effects.

The HD4DIRSX is designed for simple installation and use in the most challenging environments. The ultra-rugged die-cast aluminium housing and scratch-resistant 3.5 mm-thick polycarbonate dome cover is IP66-rated for outdoor installations and can withstand heavy external impacts, making it ideal for installations where structural integrity and vandal resistance are important.

The HD4DIRSX housing can instantly convert from flush to surface mount on a wall or ceiling or directly to a 4S electrical box. Setup is quick and easy and can be customised on-site using the provided second video service cable and user-friendly on-screen display. The housing also includes both composite and unshielded twisted pair (UTP) outputs. In addition, the housing incorporates a heater that allows the camera to work in temperatures as low as -40°C and a breather vent that prevents condensation from forming inside the housing.

#### Market Opportunities

The HD4DIRSX is a true 24/7 surveillance solution designed for object recognition in locations where little to no light exists. The compact, one-piece design allows for fast, easy installation in nighttime surveillance. It is ideal in commercial, government, school, professional, hotel or gated communities and any other quality-sensitive, high-risk environments such as prisons, airports, and train stations.

#### Features

- 1/3" Sony Super HAD™ CCD II image sensor, 600 TVL resolution
- 18 photocell controlled near infrared LEDs
- Highlight Masking Exposure (HME) masks bright spots in a scene providing better overall clarity
- Built-in breather vent to prevent condensation
- Single model instantly converts to flush or surface mount
- Coax and UTP built in (standard)
- On-Screen Display menu for easy camera setup
- Built-in heater for outdoor environments
- 3.3-12 mm (F1.5) IR corrected Vari-focal Auto Iris lens
- 3-axis gimbal bracket allows for fine camera rotation and placement
- Local video output for setup

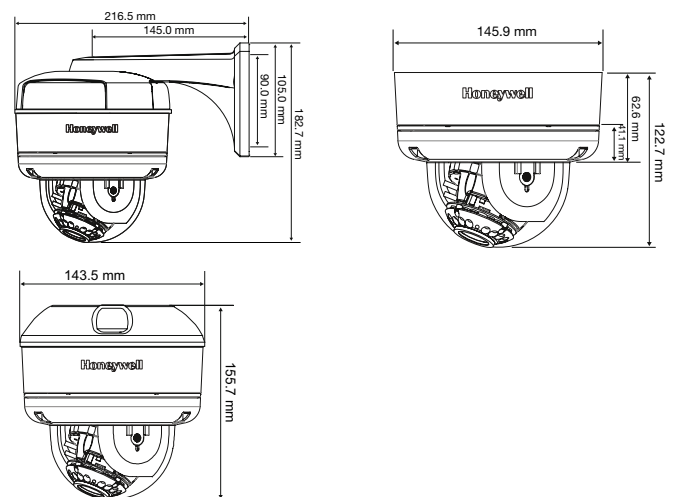


# HD4DIRSX

## SPECIFICATIONS:

Operational	
Video Standard	PAL
Scanning System	625/50 lines
Image Sensor	1/3" Sony Super HAD™ CCD II
Minimum Illumination	0.21 lux colour; 0 lux BW, with IR on
Horizontal Resolution	600 TVL
Video Output	Composite: 1.0 V p-p, 75 ohms UTP: 1.0 V p-p, 100 ohms
Sync System	12 VDC: Internal 24 VAC: Internal or line lock
S/N Ratio	50 dB or more (AGC off)
Auto Gain Control	On/Off, selectable
Automatic Electronic Shutter	1/60-1/120,000 second
White Balance	ATW/AWC/Manual
Line Lock Phase Adjustment	+/- 180° adjustable line lock vertical phase
IR LEDs	850 nm, 18 LEDs
IR Illumination Distance	Vision performance to 50 ft (depending on scene reflectance)
Highlight Masking Exposure	On/Off (selectable limit 0-60)
Gamma	0.45
3D-DNR	High/Medium/Low
Sense Up	Off/Auto (selectable limit 2X – 256X)
Privacy Function	On/Off (4 programmable zones)
Lens Type	3.3-12 mm Vari-focal Auto Iris, IR Corrected, F1.5, DC drive
Angle of View	Tele: 29.8° (D), 24.0° (H), 18.0° (V) Wide: 104.2° (D), 80.2° (H), 58.6° (V)
Electrical	
Input Voltage	12 VDC/24 VAC
Input Range	11-16 VDC, 17-28 VAC
Surge Suppression	1.5 kW transient
Power Consumption	(with IRs illuminated) 12 VDC: 4.6 W/24 VAC: 4.8 W max (with IRs illuminated and heater on) 12 VDC/24VAC: 13 W max

Mechanical	
Dimensions	See diagram
Weight	1.1 kg
Construction	Housing: Die cast aluminium Dome: Polycarbonate Finish: Light grey powder coating
Cable Entry	One 3/4" (19.1 mm) NPT threaded opening on side
Connector	Main Video: BNC (coax), 2-pin Molex (UTP) Aux Video: 2-pin connector for video test cable Power Input: 2.1 mm power plug
Environmental	
Temperature	Operating: -40°C to 55°C Storage: -45°C to 75°C
Relative Humidity	0% to 95%, non-condensing
Rating	IP66
Accessories	
Power Supply	
HPTV1202D	240V/12VDC AC 2A, for internal use
Regulatory	
Emissions	FCC Part 15, Class B CE: EN 55022
Immunity	CE: EN 50130-4
Safety	EU: 2001/95/EC GPSD NA: UL/CSA 60065
Housing Mounts	
HD4CH-WK	Wall Mount Kit
HD4CH-PK	HD4CH-PK Pendant Mount Kit



Ordering	
HD4DIRSX	1/3" CCD Integrated True Day/Night Rugged Dome Camera with DNR, 600 TVL, 18 LEDs, 3.3-12 mm VFAI, Heater, Surface/Flush Housing, 12 VDC/24 VAC, PAL

NOTE: Honeywell reserves the right, without notification, to make changes in product design or specifications.

### For additional information:

please visit [www.honeywell.com/security/uk](http://www.honeywell.com/security/uk)

### Honeywell Security Group

Aston Fields Road  
Whitehouse Industrial Estate  
Runcorn  
Cheshire  
WA7 3DL  
Tel: 08448 000 235  
[www.honeywell.com](http://www.honeywell.com)

HVS-HD4DIRSX-01-EN(1111)DS-C  
November 2011  
© 2011 Honeywell International Inc.