

H4D3PRV2/H4D3PRV3

PERFORMANCE SERIES IP 3 MP TRUE DAY/NIGHT IR RUGGED INDOOR/OUTDOOR MINI DOME CAMERA

The H4D3PRV2 and H4D3PRV3 are affordable, fully featured IP cameras that pair perfectly with a 4/8/16-channel Performance Series NVR.

Superior Image Quality

- 3 MP (20 fps) and Full HD 1080p (25/30 fps) image with 1/3" 3 MP sensor, no distortion of image in 16:9 display, 12.5% more horizontal pixel density than conventional 3 MP 4:3 (2048x1536) cameras
- True Day/Night capability, vivid color pictures by day and clear black-and-white pictures at night with ICR
- Excellent low-light performance with 3D Noise Reduction, saving storage and bandwidth together with H.264 High Profile codec

Flexible Surveillance Solution

- IR LEDs provide up to 100 ft (30 m) of illumination in dimly lit or nighttime scenes
- Smart IR technology for even distribution of IR
- Waterproof (IP66) and IK10 vandal resistant camera housing
- Small form factor, inconspicuous after installation
- 2.7–12 mm F1.4 motorized focus/zoom lens (H4D3PRV2) and 2.8 mm F2.1 fixed lens (H4D3PRV3) provide wide range of field of view options
- Monitor from anywhere using HonView Touch mobile app for both Apple® and Android™ smart phones and tablet computers
- Configurable motion detection and camera tamper detection settings, including configurable alarm notifications

Easy to Install and Use

- Compact design, easy to hold with one hand during installation
- 3-axis rotation
- Built-in PoE (Power over Ethernet) eliminates separate power supply and associated wiring; 12 V DC inputs where PoE power is unavailable
- Plug-and-play with a Honeywell 4/8/16-channel Performance Series NVR
- Remote configuration, motorized zoom adjustments and auto focus (H4D3PRV2) through Honeywell Viewer web client or Embedded NVR

Onboard Video Storage

- H4D3PRV2: Supports up to 128 GB microSDHC (Class 10) card for local video storage when network is interrupted (card not included)

Market Opportunities

These fully featured IP cameras perfectly complement your Embedded IP NVR and are an excellent, cost-effective option for both indoor and outdoor surveillance applications, including retail stores, schools, colleges, hospitals, commercial sites, industrial parks, airports, gated entrances, loading docks, and driveways.



H4D3PRV2 HD



H4D3PRV3 HD



H4D3PRV2/H4D3PRV3

www.honeywellvideo.com

SPECIFICATIONS

Model	H4D3PRV3		H4D3PRV2	
Camera				
Image Sensor	1/3" 3 megapixel progressive scan CMOS			
Effective Pixels	2304 (H) × 1296 (V)			
Electronic Shutter Speed	Auto/Manual, 1–1/100000 s		Auto/Manual, 1/3(4)–1/100000 s	
Min. Illumination	0.1 lux, F2.1 (Color); 0 lux (IR LEDs on)		0.1 lux, F1.4 (Color); 0 lux (IR LEDs on)	
S/N Ratio	More than 50 dB			
Camera Features				
IR Distance	Up to 100 ft (30 m), depending on scene reflectance			
Day/Night	Auto (ICR)/Color/BW			
Backlight Compensation	BLC/HLC/DWDR			
White Balance	Auto/Manual			
Gain Control	Auto/Manual			
Noise Reduction	3D			
Privacy Masking	Up to 4 areas			
Lens				
Focal Length	2.8 mm		2.7–12 mm	
Max. Aperture	F2.1		F1.4	
Focus Control	Fixed		Auto	
Horizontal Angle of View	92°		86°–28°	
Lens Type	Fixed		Motorized focus/zoom	
Video				
Compression	H.264 (Main/High/Baseline Profile) /MJPEG			
Resolution	3 MP (2304×1296), 1080p (1920×1080), 720p (1280×720), D1 (704×576/704×480), CIF (352×288/352×240)			
Frame Rate	Main Stream	3 MP (1–20 fps), 1080p (1–25/30 fps)		
	Sub Stream	D1, CIF (1–25/30 fps)		
Bit Rate	H.264: 4–8192 kbps			
Corridor Mode	Support			
Network				
Ethernet	RJ-45 (10/100Base-T)			
Protocol	IPv4/IPv6, HTTP, HTTPS, TCP/IP, UDP, UPnP, ICMP, IGMP, RTSP, RTP, SMTP, NTP, DHCP, DNS, PPPoE, DDNS, FTP, IP Filter, QoS			
Compatibility	ONVIF Profile S, CGI			
Max. User Access	20 users			
Mobile App	HonView Touch for iPhone, iPad, Android Phone and Tablet			
General				
Power Supply	PoE (802.3af), 12 V DC			
Power Consumption	4.7 W max. (IR LEDs on)		8.5 W max. (IR LEDs on)	
Working Environment	–22°F to 140°F (–30°C to 60°C); 10% to 100% RH, condensing			
Ingress Protection	IP66			
Vandal Resistance	IK10			
Dimensions	4.33 × 3.19 in. (110 × 81 mm)		4.8 × 3.5 in. (122 × 89 mm)	
Weight	0.86 lb (0.39 kg)		1.1 lb (0.5 kg)	
Regulatory	FCC, Part 15B, Class B			

H4D3PRV2/H4D3PRV3

www.honeywellvideo.com

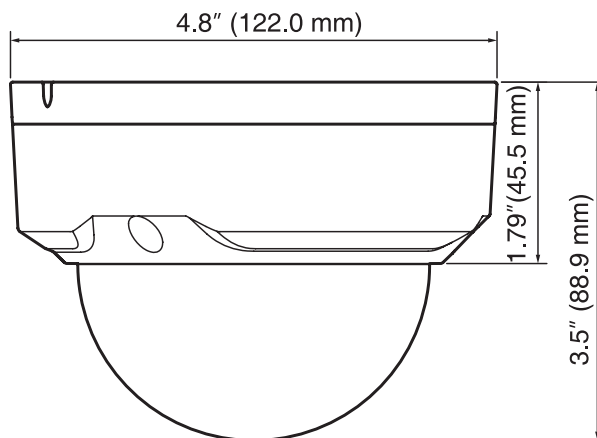
ORDERING

Recommended Accessories	
Mounts	
HQA-WK	Wall Mount for Dome and Ball Cameras
HQA-BB2	Junction Box
HB34S2-CM	Corner Mount (for use with HQA-BB2)
HQA-PM	Pole Mount (for use with HQA-BB2)
System Compatibility	
HEN041**(X)	H.264 4-Channel 1080p Embedded Network Video Recorder (1 or 2 TB)
HEN081**(X)	H.264 8-Channel 1080p Embedded Network Video Recorder (2, 4 or 6 TB)
HEN161**(X)	H.264 16-Channel 1080p Embedded Network Video Recorder (3 or 6 TB)

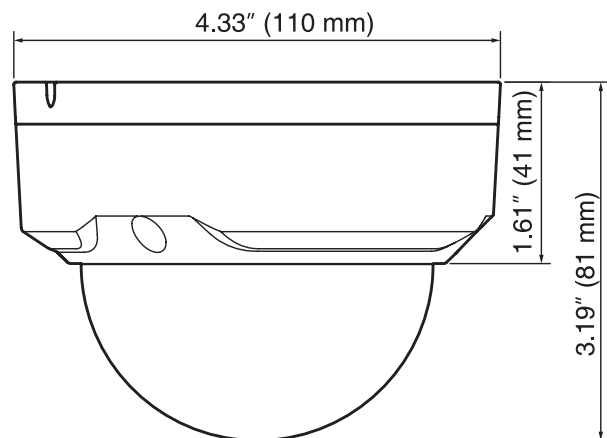
Ordering	
Honeywell Performance Series IP Cameras	
H4D3PRV2	Network TDN IR Rugged Indoor/Outdoor Mini Dome Camera, 1/3" CMOS, 3 MP, 2.7-12 mm MFZ, 24 IR LEDs, PoE, H.264
H4D3PRV3	Network TDN IR Rugged Indoor/Outdoor Mini Dome Camera, 1/3" CMOS, 3 MP, 2.8 mm Fixed, 24 IR LEDs, PoE, H.264

DIMENSIONS

H4D3PRV2



H4D3PRV3



For more information:

www.honeywell.com/security

Automation and Control Solutions

Honeywell Security and Fire
2700 Blankenbaker Pkwy, Suite 150
Louisville, KY 40299
1.800.323.4576
www.honeywell.com

L/PSIPDXD/D
November 2015
© 2015 Honeywell International Inc.

Honeywell