

ScanDome™ III HSDC-352

High performance Integrated Dome System

The ScanDome™ III, HSDC-352, dome camera features a high resolution ExView CCD imager for enhanced lowlight sensitivity with Wide Dynamic Range. User friendly, on-screen pull-down menus and short-cuts make it easy to setup and program functions



KEY FEATURES

- Built-in 35x optical power zoom lens (Total : 90x zoom with digital 2.6x zoom)
- Built-in Exview CCD(Sony)
- True night shot function with IR cut filter removal mechanism
- Advanced Wide Dynamic Range (WDR)
- 248 presets: Programmed with view direction, zoom
- 4 patterns: Record and play back user preference of surveillance path up to 240 sec.
- 16 Scans: 8 speed steps (1 to 8) for Scan with two speed steps for DiagonalScan (Slow/Medium)
- 8 Tours : Each tour consists up to 64 Presets, Patterns, Scans and other Tours
- 8 Alarm inputs with 0~8 priority / 2 Auxiliary outputs programmable NC/NO
- 8 Privacy Zones : video off or up to masked block with selectable 8 colors
- 64 Steps of variable speed for panning from 0.1° /sec to 90° /sec.
- Maximum manual speed; 360°/sec with Turbo key pressed, preset speed; 380° /sec.
- Minimum adjustable angle is 0.0375° with SingleStep move function
- Programmable user preferences of speed (Slow / Medium / Fast)
- Addressable up to 999 camera IDs (Extendable up to 3999 setting at factory menu)
- Built-in RS-485/RS-422 receiver driver
- On-site software upgrade and upload/download of programmed data into the Keyboard / Dome
- Built-in power-line surge protection and lightning protection
- Capable of fail-safe hot swap
- Supporting multiple protocol
- Smooth 180 ° tilting with digital flip function

SPECIFICATIONS

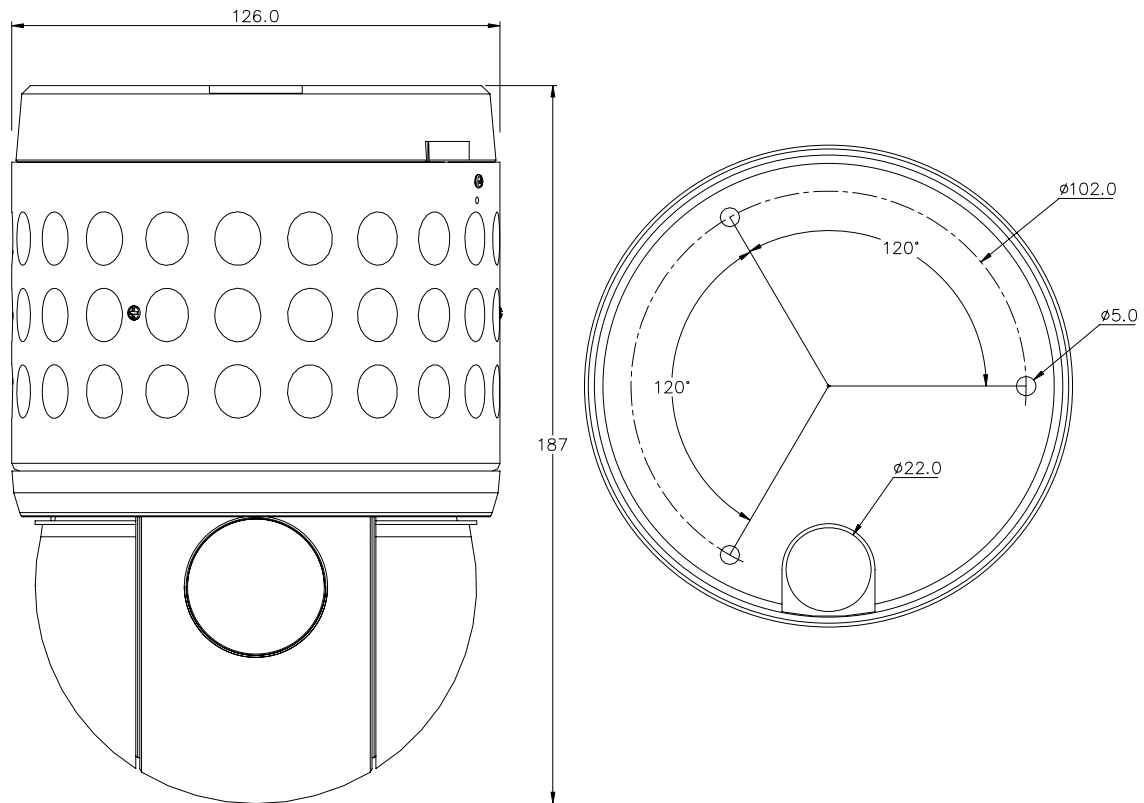
Model Name	ScanDome™III	
Model No.	HSDC-352NX	HSDC-352PX
Pick-up Device	1/4" Ex-View Color CCD (Sony)	
Television System	NTSC, 525 Lines, 2:1 interface	PAL, 625 Lines, 2:1 Interface
Horizontal Resolution	530 TV Lines	530 TV Lines
Min. Illumination	0.5lx (30IRE) : IR CUT Filter ON 0.05lx (30IRE) : IR CUT Filter OFF 0.0005lx (30IRE): IR CUT Filter ON, Field integration(DSS) x510 ON 0.00001x (30IRE) : IR CUT Filter OFF, Field integration(DSS) x510 ON	
Lens	35x optical power zoom with auto focus (Total: 90x zoom with digital 2.6x zoom)	
S/N Ratio	More than 50 dB (AGC OFF)	
Video Output	Composite (1.0 Vp-p), 75 ohm, BNC	
Pan Angle / Speed	64 steps of various speed, 0.1°/sec to 90°/sec	
Preset Speed	Max. 380°/sec.	
Preset	248 positions (Adjustable focus, iris & BLC for each preset position)	
Guard Tour	8 Guard Tours (64 Presets, Patterns, Scans and other Tours per Tour)	
Tour	Expanded up to 500 functions (Adjustable Speed each Function)	
Privacy Zone Masking	ON / OFF, (8 Zones Set), 8 Color Marked	
Flip	Manual / Digital Auto Flip	
BLC	OFF / BLC / H.BLC, WDR (15 Levels)	
Alarm	Input	8 Normal dry contact (Selectable NC/NO)
	Output	2 Normal Relays 24VDC / 1A Max.
Auto Scan	16 Scan including DiagonalScan	
Auto Scan Speed	8 speed steps for Scan, 2 speed steps for DiagonalScan	
Auto Pan	1 Auto Pan Available	
Preset Freeze	Freeze Frame on Presets (User Selectable ON / OFF)	
Auto Calibration	Auto Calibration Available	
Operating Temp.	0°C to 50°C	
Storage temperature	-20°C to 60°C	
Power Requirement	24VAC/VDC, 850mA Max.	
Power Consumption	Max. 20W	
Humidity	Under 90% RH (Non-condensing)	
Material	Dome Bubble	Acryl
	Body	Aluminum
Color	Dome Bubble	Clear
	Body	Black
Size	126(Ø) x 187(H) mm	
Weight	1.2 kg	
Dome Size	4.8 "	

ITEM LINE UP

HSDC-352NX	ScanDome™ III 35x (90x zoom with digital 2.6x), WDR, ExView CCD, NTSC
HSDC-352PX	ScanDome™ III 35x (90x zoom with digital 2.6x), WDR, ExView CCD, PAL

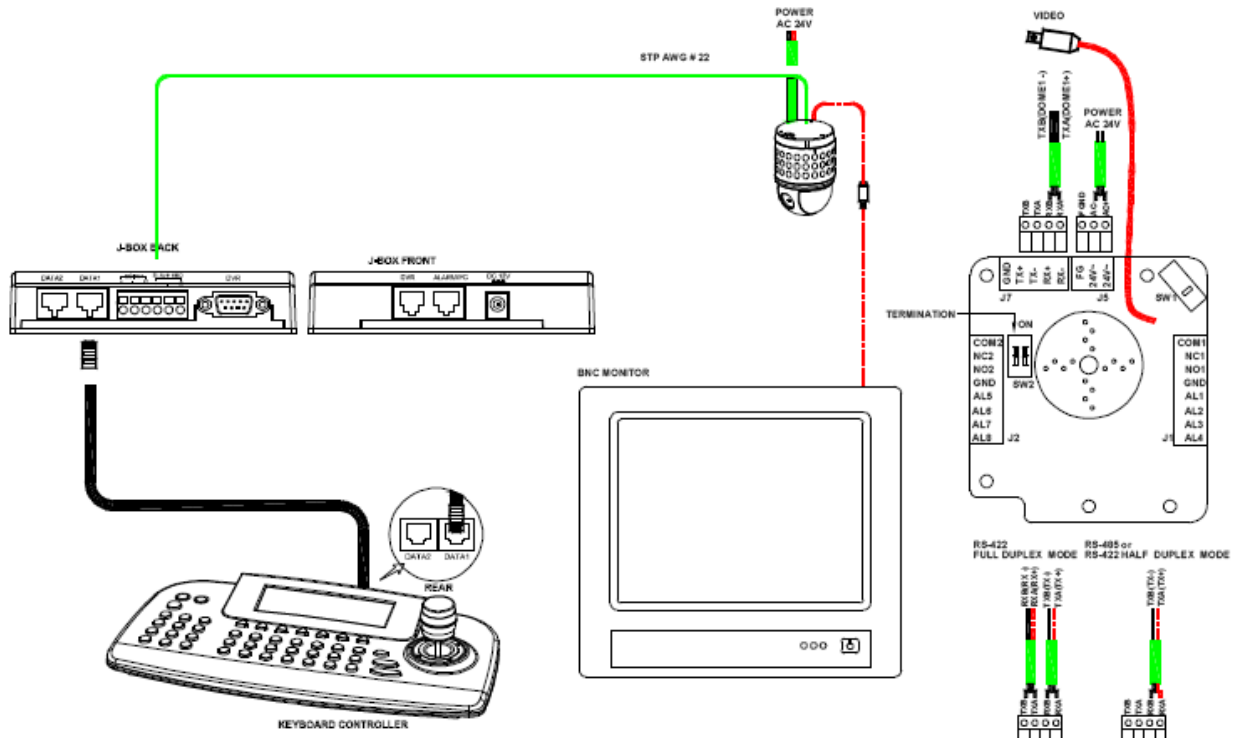
CERTIFICATION

CE EMC	For HSDC-352PX (PAL)
FCC CLASS A	For HSDC-352NX (NTSC)



The package contains the following

Quantity	Component
1	ScanDome™ III (Dome Camera)
1	Instruction Manual (this document)
3	Assembly Screws for Attaching ScanDome
3	Plastic Anchor
1	3-Pin Connector
1	4-Pin Connector
2	8-Pin Cable Assembly
3	3-Bolt Spacer(Use for HSGN-502 and HSG-502F only)



Basic Configuration of ScanDome™III Camera System

RELATED PRODUCTS

HSDH-602F	Indoor Flush Mount Housing
HSDH-602	Indoor Pendant Housing
HSDH-602SH	Outdoor Pendant Housing w/ sun shield, fan& heater
HSDH-WL	Wall Mount Bracket
HSDH-CL	Ceiling Mount Bracket
HSDH-CN	Corner Mount Bracket
HSDH-PL	Pole Mount Bracket
HTX-5000	Control Keyboard, Built-in LCD monitor

For more information:

Asia Pacific Headquarters: Tel: (86) 21-5257 4568
Australia Tel: (61) 2-8837 9300
China Tel: (86) 755-2518 1226
Hong Kong Tel: (852) 2405 2323

India Tel: (91) 124 4105671
Korea Tel: (82) 2-799 6109
Singapore Tel: (65) 6333 9563
Taiwan Tel: (886) 2-2245 1000

www.asia.security.honeywell.com
security.ap@honeywell.com

Automation & Control Solutions
Honeywell Security - Asia Pacific
Honeywell International Inc.
www.security.honeywell.com

Jun 2008
© 2008 Honeywell International Inc.

Honeywell