



Features

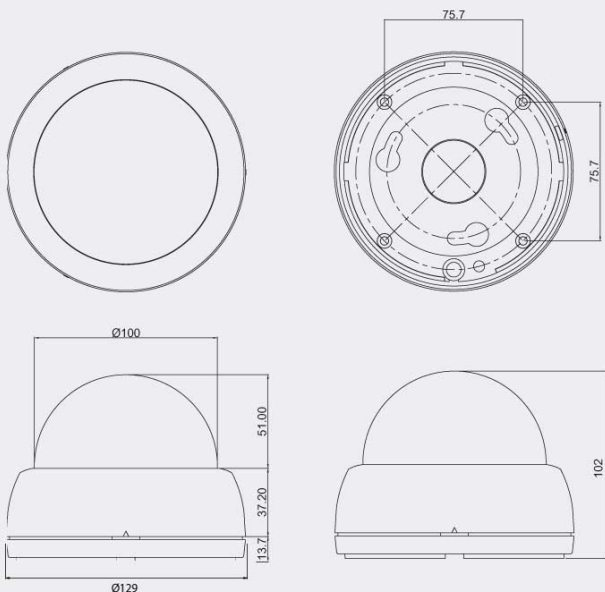
- 1/3 inch Sony Super HAD CCD
- High Resolution : 550 TV Lines
- Built in IR LED and Sensor
- Built in DC Iris Vari-focal Lens (f=3.8~9.5mm)
- Day&Night (ICR), 2x Digital Zoom (On/Off)
- Digital Slow Shutter (On/Off)
- SDNR (Super Digital Noise Reduction)
- Min. Illumination : 0.00 Lux (IR LED On)
- Auto White Balance
- AGC, BLC, Flickerless (On/Off)
- Extra Video Out Port for Installer
- 3-Axis Movement for Free Lens Rotation
- Dome Size : 100mm



INSIDE VIEW



DIMENSIONS



SPECIFICATIONS

Model	D2815NVR	D2815PVR
Signal System	NTSC	PAL
Scanning System	2:1 Interlace	
Scanning Frequency (H)	15.734 KHz	15.625 KHz
Scanning Frequency (V)	59.94 Hz	50 Hz
Image Sensor	1/3 Inch SONY Super HAD CCD	
Total Pixels	811(H) x 508(V) 410K	795(H) x 596(V) 470K
Total / Effective Pixels	768(H) x 494(V) 380K	752(H) x 582(V) 440K
Horizontal Resolution	550 TV Lines	
Video Output	1.0V p-p (75Ω, Composite)	
S/N Ratio	More than 50dB(AGC Off)	
Lens	DC Iris Vari-focal Lens (f=3.8~9.5mm)	
Digital Zoom Ratio	2x (On/Off, Dip Switch)	
Min. Illumination	Day (0.3 Lux), Night (0.00Lux, IR LED On)	
IR LED and Sensor	IR LED (850nm, 30°) 20EA, Sensor 1EA	
IR LED Visible Range	Max. 20m	
Day&Night (ICR)	On/Off (Dip Switch)	
SDNR	Built-in	
DSS	On/Off (Dip Switch)	
White Balance	Auto	
AGC,BLC,Flickerless	On/Off (Dip Switch)	
Shutter Speed	1/60~1/120,000 Sec.	1/50~1/120,000sec.
Supplied Voltage	AC24V/DC12V Dual Voltage	
Power Consumption	DC12V (Max. 4.5W/360mA) AC24V (Max. 5W/370mA)	
Dimensions(ØxH)	100.0 x 102.0 mm	
Weight	Approx. 360g	