



by Rioned

ANDY GUEST
JETTERS

V-PACK 2 SERIES

The V-Pack 2 Series is the most compact and lightweight machine in our standard range.



This V-Pack 2 Series is very popular with small and large scale operators alike due to its high performance, comprehensive specification and low cost. It is a fully featured machine with a powerful 24HP diesel engine, hydraulic drive HP reel and integrated filling reel. Single man operation can be added in the form of a radio remote control system or a hard wired foot pedal system.

Suitable for sewers and drains up to \varnothing 250mm

The V-Pack 2 Series can be installed into almost any commercial vehicle and is ideally suited to domestic and light commercial work. We can supply a complementary range of accessories for drain and surface cleaning, fat and grease removal as well as descaling. With a dry weight of only 395KG it is one of lightest machines in its class.

The V-Pack 2 Series is also available in 'Stack' configuration for use in dual-purpose vehicles.

Andy Guest Jetters produce their high-pressure jetting machines in accordance with machine directives (2006/42/EC), in conformance with the regulations of the following EEC directives: 2004/108/EC and the following harmonized European standards have been applied: NEN-EN-ISO 12100-1, NEN-EN-ISO 12100-2, NEN-EN-ISO 13850, NEN-EN-ISO 13857, NEN-EN-349, EN 60204-1.

Andy Guest Jetters Ltd

Unit 11, Riparian Way
The Crossings Business Park
Cross Hills, Keighley
West Yorkshire BD20 7BW

Tel: + 44 (0) 3300 240 404
www.andyguestjetters.co.uk
info@andyguestjetters.co.uk

V-PACK 2 SERIES

TECHNICAL SPECIFICATION



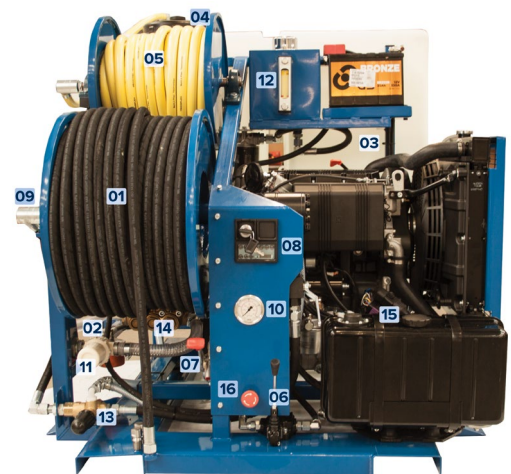
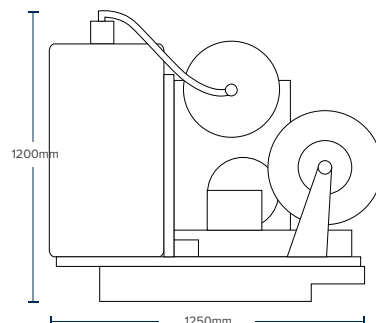
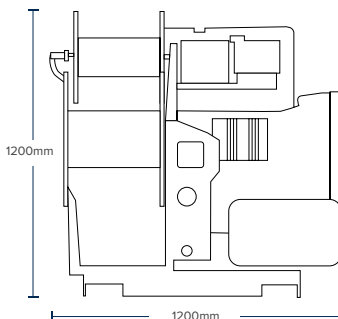
UPGRADES + OPTIONS

- ▶ Tank Capacity Upgrade (400, 500, 650 or 800 Litres)
- ▶ 5 Channel Radio Remote Control
- ▶ Hard Wired Foot Pedal
- ▶ Hose Guidance
- ▶ Run Dry Protection
- ▶ Lightweight Jetting Hose
- ▶ Leader Hose
- ▶ Mini Hose Kit
- ▶ Safety Lance
- ▶ Dry Shut Lance
- ▶ Nozzle Kit
- ▶ Hydraulic Root Cutter
- ▶ Warthog
- ▶ Chain Flail Kit
- ▶ Suction Ventury

Pipework Diameter	200-250mm
Performance	3000psi @ 9GPM (200 BAR @ 40LPM)
Std Water Tank Capacity:	210 Litres (45 Gallon)
Engine	3 Cylinder Diesel (Lombardini Kohler LDW1003)
Engine Power	24HP (18kW)
HP Pump Type	Triplex Plunger Pump
Engine Cooling	Water Cooled
Run Dry Protection	Not Included (Optional)
Frost Protection	Anti-Freeze Valve
HP Reel	Hydraulic Drive
Hose Guidance	Not Included (Optional)
Hose	90 Metres ½" Jetting Hose (300ft)
Reel Arrangement	Fixed Hose Reel
Filling Hose	Integrated 25M Reel
Control Box	Yes
Pressure Relief System	Unloader Valve
Remote Control	Optional 5 Channel Radio or Foot Pedal Systems
Construction	Compact Mild Steel Construction, Shot Blasted, Zinc Primed & Powder Coated
Accessories Included	2 Standard Nozzles, User Manual
Approx. Dry Weight	395KG
Approx. Max Weight	605KG (with standard water tank)
Dimensions (mm)	1250mm D x 1200 W x 1200 H (with standard tank)
Fuel Tank Capacity	20 Litres
Base Vehicle Suitability	Ford Transit Custom/Transit, Vauxhall Vivaro/Movano, Mercedes Benz Vito/Sprinter, VW Transporter/Crafter, Renault Trafic/Master, Peugeot Expert/Boxer
Warranty	12 Months (terms and conditions apply)

*Other capacities are available

DIMENSIONS + CONFIGURATION



Andy Guest Jetters Ltd

Tel: + 44 (0) 3300 240 404

www.andyguestjetters.co.uk

info@andyguestjetters.co.uk

01	High Pressure Hose & Reel	09	Rotary Joint
02	Overflow Pipe	10	Pressure Gauge
03	Water Tank	11	Water Filter
04	Supply Opening Water Tank	12	Fuel Level Indicator
05	Inlet Hose on Reel	13	Pressure Regulator
06	Hydraulic Reel Control	14	Pump
07	Throttle	15	Fuel Tank with Opening
08	Control Box	16	Emergency Stop