

Swirl Diffuser

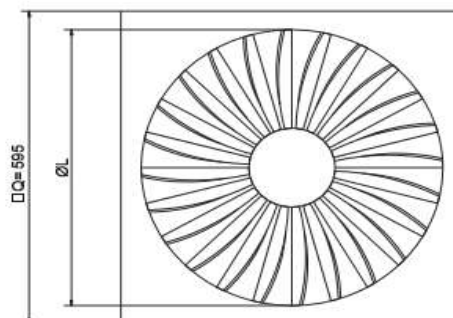
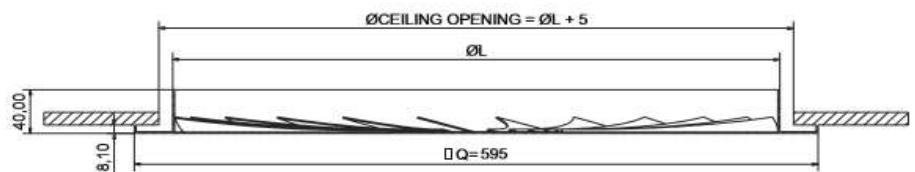
Technical Specification



The Swirl Diffuser has fixed spiral blades that create rotational axial, tangential and radial air movement.

It produces a strong horizontal swirl, obtaining high inductivity to allow the introduced air flow to rapidly mix with the ambient air to reduce temperature and also perceived drafts and hot and cold spots.

Suitable for surface mounting in the ceiling or alternatively as a lay in for Bar installation.



Specification

Fixed Spiral Blades

Strong horizontal swirl to reduce temperature

Reduced noise

Maintains high quality air diffusion with minimal variation

Suitable for return air application

Manufactured from cold rolled galvanized plate steel

Face plate is 595mm square

Powder Coated RAL 9010 White

Contact Us

Email all enquiries to:

enquiries@ventilationproductshop.co.uk

We will respond within 24 hours

