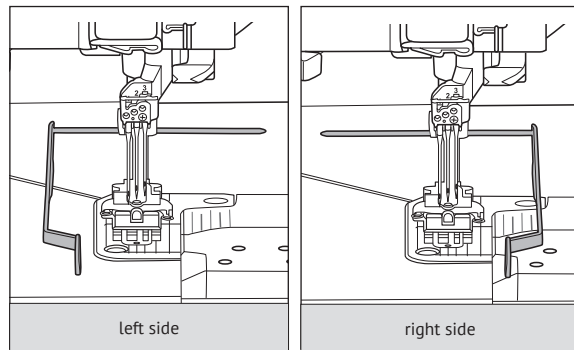


Stitch Guide

Item No.: A-D9-11A (Primo, Euphoria, Gloria, Ovation)

The stitch guide is an additional attachment that is used exclusively on the larger cover stitch and combination machines. It can be used to as a guide along the edge of the fabric to ensure precise seam allowances, as well as being used for even spacing of decorative stitches on the fabric. The distance between the foot and the guide edge can be adjusted with the sliding bar – up to a maximum width of approx. 7 cm (from middle cover needle).



The stitch guide can be attached to the left or right side of the machine.

Note: Stop using it in case it is broken or depleted.

*The fixing screw is located in the built-in accessory compartment.

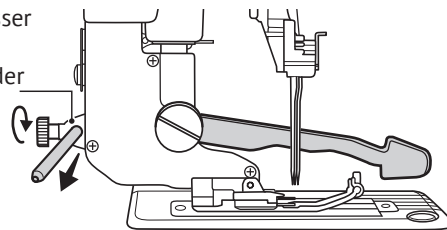
Attaching to the machine

Always make sure the power of the machine is off when attaching or removing.

1. Loosen the fixing screw* located at the back of the presser foot holder.
2. Insert the pointed end of the bar on the stitch guide into the hole on either the right or left side of the presser foot holder.
3. Adjust the guide by sliding it through the hole to desired position and tighten the screw.
4. Slowly turn the handwheel, to be sure the moving parts do not touch the stitch guide.

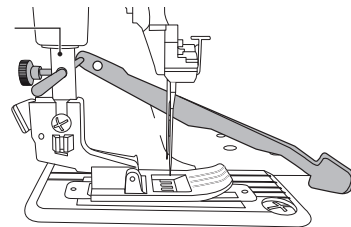
You can now start to sew

Presser
foot
holder



Attachment to swing foot (Primo)

Presser
foot
holder



Attachment to standard foot (Primo, Gloria, Ovation, Euphoria)