

# Reon GLS

07621 A9.5-BC40

## A60 (GLS) 9.5W BC (B22) 4000K

- Save energy by up to 90%
- Choices of 2700K, 4000K, 6500K
- Replacement for incandescent GLS
- Long life of 15,000h
- Dimmable option available



### Overview

The Classic shaped GLS from Kosnic is a selected line of energy saving retrofit LED lamps. Reliable, affordable and easy to install.



**IP20**



### General Information

|                                |               |
|--------------------------------|---------------|
| Ambient Temperature Range (°C) | -20°C to 40°C |
| IP Rating                      | IP20          |
| Nominal Lifetime (h)           | 15,000 h      |
| Protection Rating              | Class II      |
| Installation Area              | Internal      |

### Technical Summary

|                               |                    |
|-------------------------------|--------------------|
| Product Code                  | A9.5-BC40          |
| Input Voltage Supply          | 220-240Vac 50/60Hz |
| Default Power                 | 9.5 W              |
| Power Factor                  | 0.55               |
| Default CCT                   | 4,000 K            |
| SDCM of CCT                   | <6                 |
| CRI                           | 80                 |
| Dimmable                      | N                  |
| Flicker                       | <1%                |
| Lumens Output Maximum         | 1,055 lm           |
| Maximum Efficiency            | 111 lm/W           |
| L80B10 Lifetime (h) @Ta 25 °C | 9,000 h            |
| Nominal Lifetime (h)          | 15,000 h           |
| Weight                        | 0.044Kg            |
| Dimensions (L x W x D) (mm)   | 107xØ60            |



Kosnic Lighting



KosnicUK



KosnicLightingUK



KosnicUK

Tel: 01635 523 713

Email: sales@kosnic.com

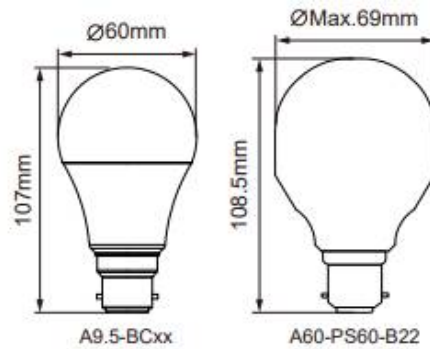
Kosnic.com

# Reon GLS

07621 A9.5-BC40

## Overview

The Classic shaped GLS from Kosnic is a selected line of energy saving retrofit LED lamps. Reliable, affordable and easy to install.



## General Information

|                                |               |
|--------------------------------|---------------|
| Ambient Temperature Range (°C) | -20°C to 40°C |
| IP Rating                      | IP20          |
| Nominal Lifetime (h)           | 15,000 h      |
| Protection Rating              | Class II      |
| Installation Area              | Internal      |



Kosnic Lighting



KosnicUK



KosnicLightingUK



KosnicUK

Tel: 01635 523 713

Email: [sales@kosnic.com](mailto:sales@kosnic.com)

[Kosnic.com](http://Kosnic.com)