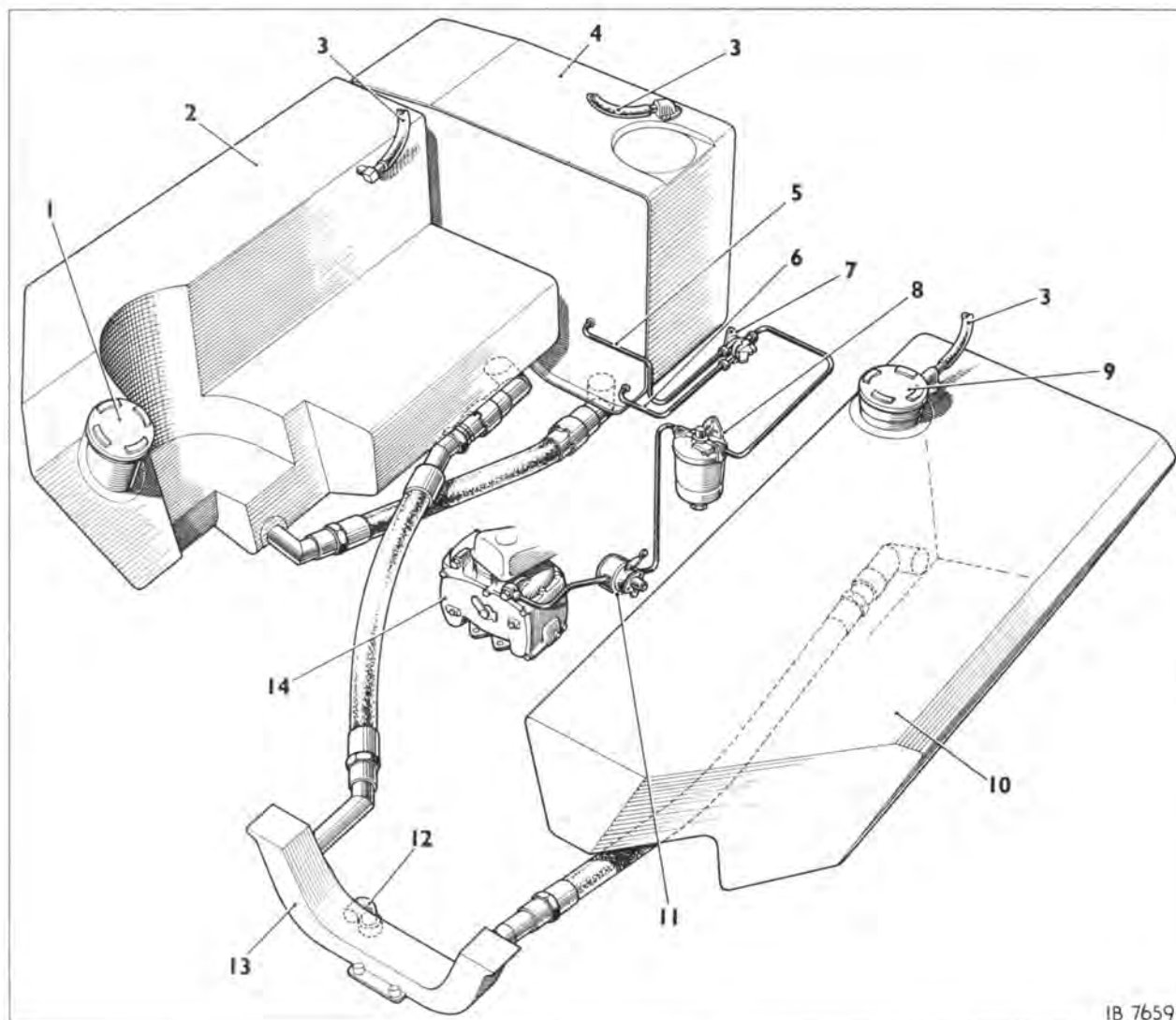


10 - FUEL SYSTEM

DESCRIPTION

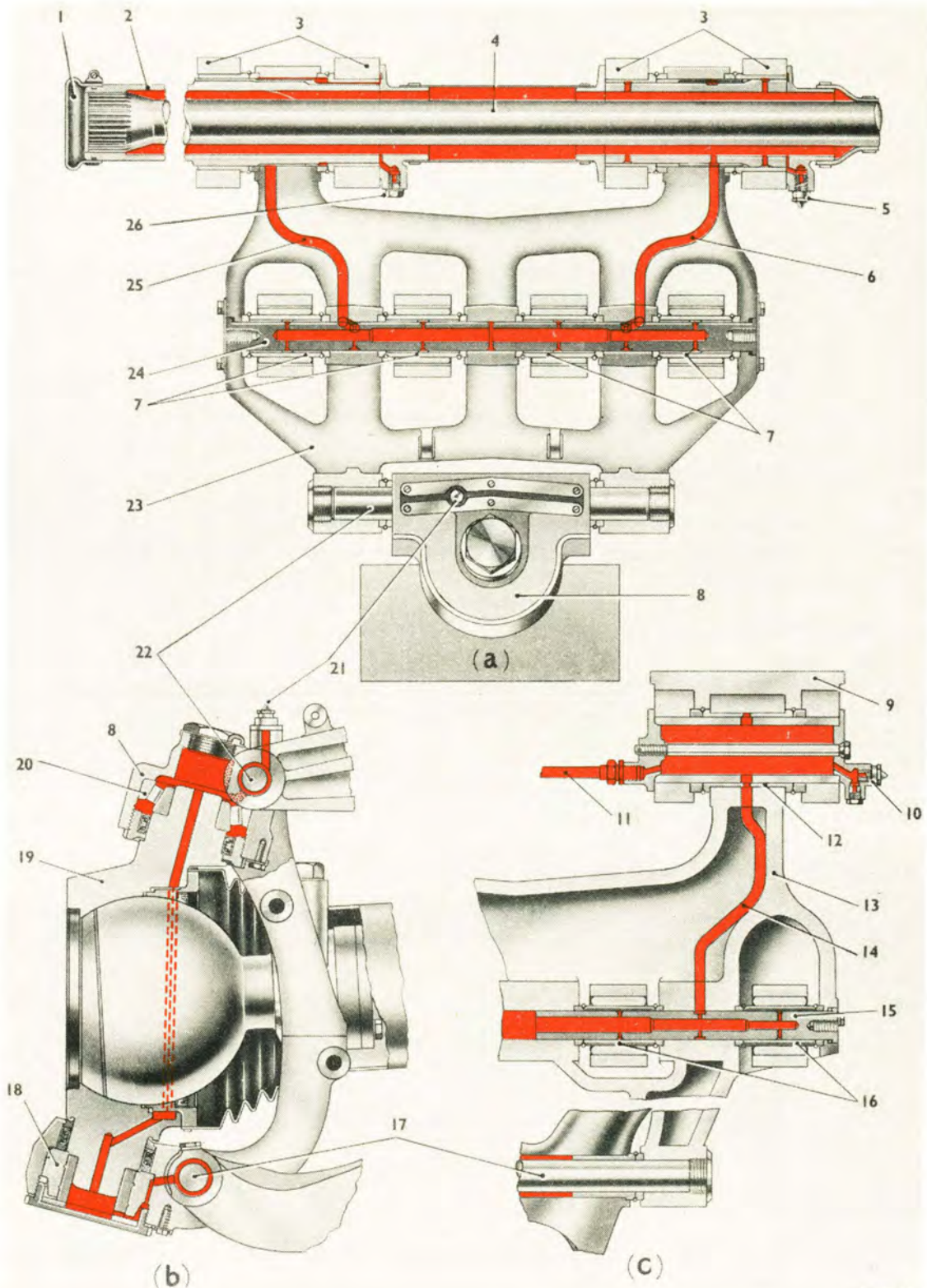
148. The fuel system (Fig 27) has three fuel tanks, one on each side of the engine and one in the left-hand rear of the fighting compartment. All the tanks are interconnected by their chain pipes to give a total capacity of 53 gallons - 42 main and 11 reserve. The fuel used is 80 octane gasolene.



IB 7659

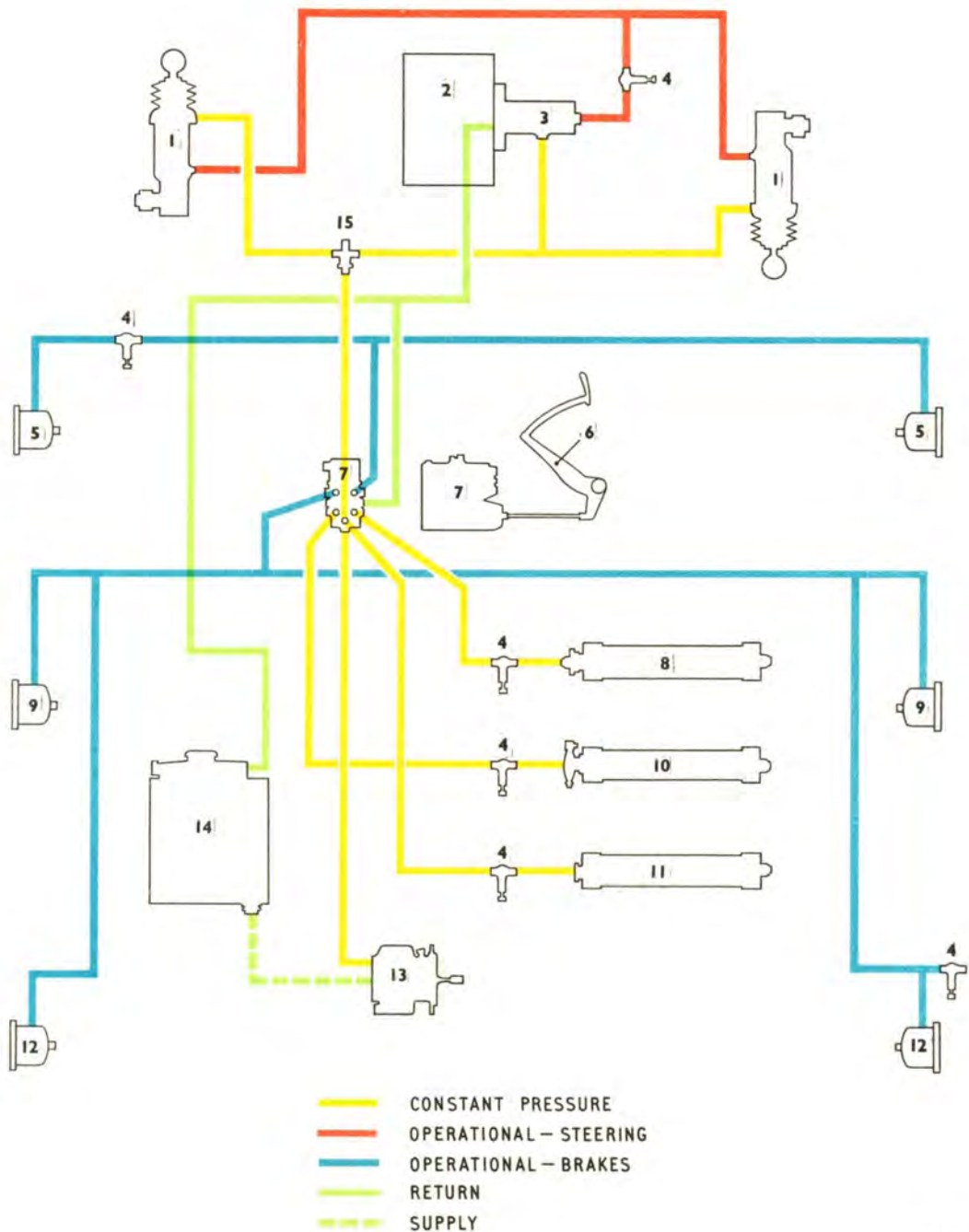
- | | |
|-------------------------------|--|
| 1 Filler cap - rear L.H. tank | 9 Filler cap - R.H. tank |
| 2 Rear L.H. tank | 10 R.H. tank |
| 3 Breather pipe | 11 Fuel pump |
| 4 Front L.H. tank | 12 Drain outlet pipe |
| 5 Main supply pipe | 13 Engine mounting bracket
(cross-member) |
| 6 Reserve supply pipe | 14 Carburetter |
| 7 Fuel tap | |
| 8 Fuel filter | |

Fig 27 Fuel system



IH 7765

Fig 57 Suspension unit lubrication system



IB7764

- | | |
|--|---|
| 1 Steering jack (2) | 9 Brake operating cylinder - centre (2) |
| 2 Steering box | 10 Accumulator - centre and rear brakes |
| 3 Steering control valve | 11 Accumulator - steering |
| 4 Check point (6) | 12 Brake operating cylinder - rear (2) |
| 5 Brake operating cylinder - front (2) | 13 Hydraulic fluid pump |
| 6 Footbrake pedal | 14 Fluid supply tank |
| 7 Twin power valve and cut-out | 15 Restrictor valve |
| 8 Accumulator - front brakes | |

Fig 59 Hydraulic braking and steering system