

Fig. 63. Roof lamp—G.E.C. type GE.WD/TL3R.

**THERMOMETER, WITH CAPILLARY TUBE** (*JAEGER, type RT38/36/240*)

Weight of engine cover .. .. 196 lb.

**Removal**

Isolate the batteries by means of the battery switch (fig. 11).

Remove the engine cover.

Drain the coolant system until the coolant is below the level of the thermometer element in the thermostat body (fig. 12). To drain the coolant system, see page 2.

Slacken the two clips which support the capillary tube on the side of the engine, unscrew the union nut and withdraw the thermometer element from the thermostat body.

Remove the driver's seat, the runners of which are secured to the support brackets by four csk. head bolts.

Remove the front floorplate which is secured by nine slotted head setscrews (fig. 41, ref. A).

Remove the spent cartridge bag container ring (fig. 24) which is secured by two csk. head setscrews.

Remove the twelve slotted head setscrews (figs. 24 and 25, ref. A) which secure the rotary platform detachable segment, rotate the rotary platform until the segment is adjacent to the side door and slide out the segment.

Remove the rear undershield which is secured by eighteen slotted head setscrews.

Slacken the cable clips which retain the cables, etc., in the right side cable run-way (fig. 27) and lift out the thermometer capillary tube.

# Chapter VIII — Optical and Directional Equipment

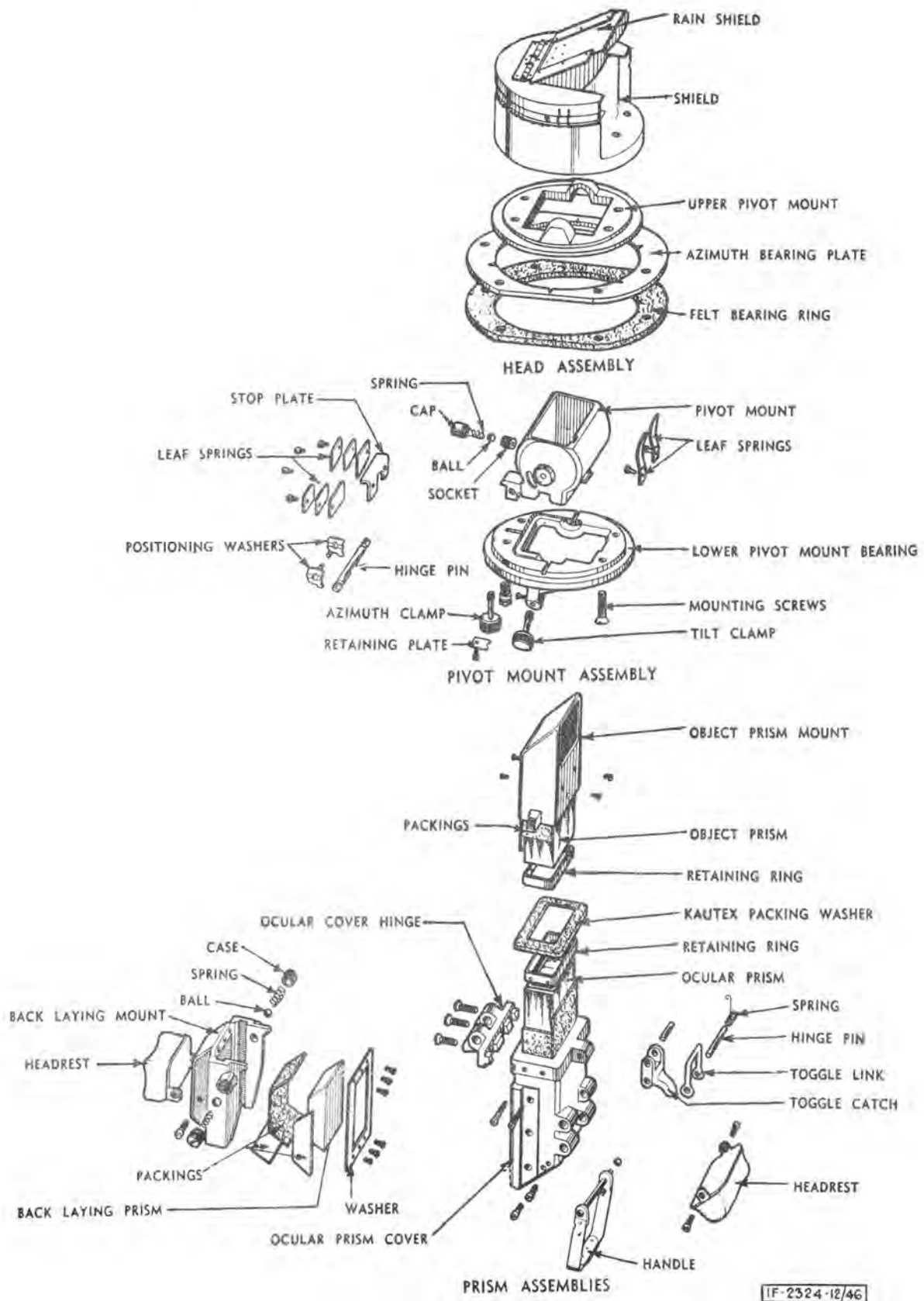


Fig. 210. Periscope, tank, No. 6, Mark I

## Chapter II — Transmission

from the front. Be careful not to lose the eight balls from the top gear outer and actuating members. After driving the shaft through sufficiently, the actuating ring may be twisted and the balls picked out, before finally driving out the shaft.

Remove the adjusting washer, the actuating ring, the thrust ring and the sliding member with ball bearing, then remove the bearing from the sliding member.

Remove the return springs and plungers, then remove the top gear clutch assembly.

Remove the 4th speed drum and sunwheel with sunwheel bushes, the 3rd speed drum bush, the 4th speed planet assembly and then the 4th speed carrier plate washer.

Finally, remove two nuts and one csk. screw and remove the top gear outer member from the front cover.

### BOTTOM COVER AND BRAKE BANDS ASSEMBLY (figs. 137 and 131)

Lift off the bus-bar

Press down on top of each brake band in turn until the hooks can be swung away. The hooks can be removed by taking out one of the split pins fitted to the fulcrum rod and tapping the rod out of the fulcrum bracket with a suitable drift.

Remove the split pin from one end of the fulcrum rod which holds the brake band links and tap the rod through the eye-bolts. The brake bands can now be pulled clear. Be careful not to lose the link spacers and the small centralizer springs.

The centralizers can be removed by taking out the rods.

The fulcrum bracket and the eye-bolts for the brake band links and the right centralizers are secured to the bottom cover, but it should not be necessary to remove these.

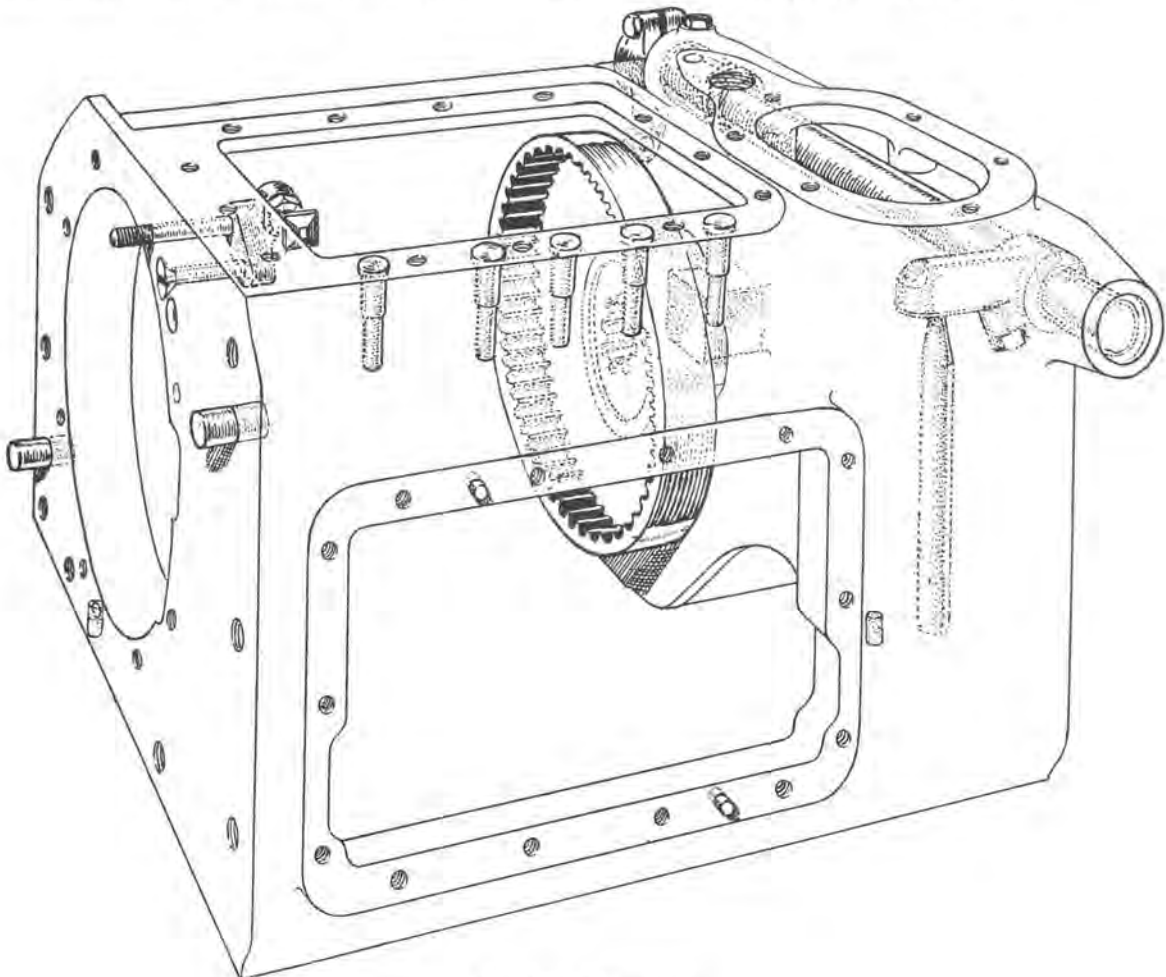


Fig. 129. Gearcase

## Chapter IX — Armament

Remove the split pins and withdraw the pins connecting the running-out presses to the breech ring.

Unscrew the piston rod nut.

Lay the gun at a slight angle of elevation and lock it in position with the elevation lock or support the mounting by means of a sling from the turret roof.

Pull the gun back until the breech ring clears the deflector bracket and unscrew the breech ring securing screw.

Open the breech by means of the breech mechanism lever and unscrew the assembly from the barrel.

Wrap the threads of the barrel with hessian or suitable cloth to prevent burring the threads when removing the barrel.

### MUZZLE ADAPTER (fig. 70)

Screw back the securing nut until free of the threads on the adapter.

Remove the securing screw and withdraw the anti-rotation key located in the top of the adapter.

Withdraw the adapter and remove the split collar.

### BARREL

Traverse the turret until the breech end faces the side door. The barrel may be removed by two men without the use of tackles.

Withdraw the barrel carefully until a selvagee can be double-hitched around the barrel in front of the breech threads.

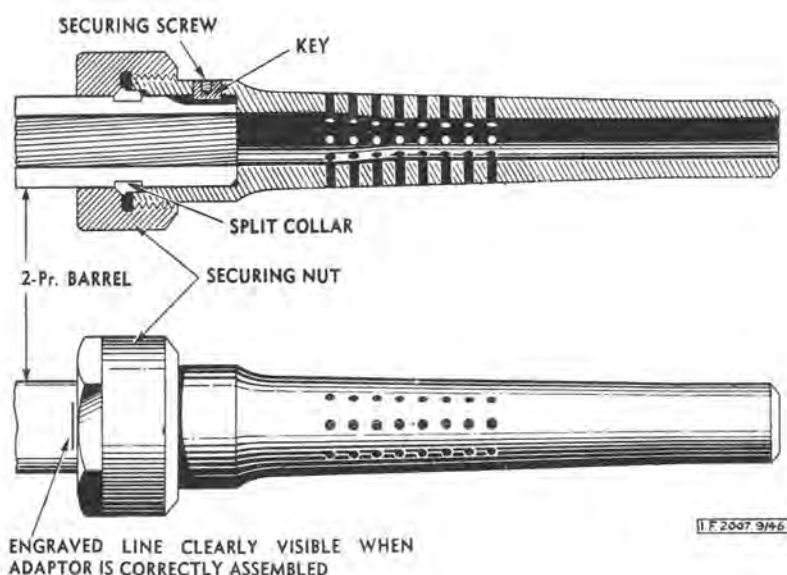


Fig. 70. Muzzle adapter